



Functional Devices, Inc.
 310 South Union Street
 Russiaville, IN 46979
 www.functionaldevices.com

Office: (765) 883-5538
 Sales: (800) 888-5538
 Fax: (765) 883-7505
 Email: sales@functionaldevices.com

Manufacturing quality products in the United States of America since 1969

TR50VA007

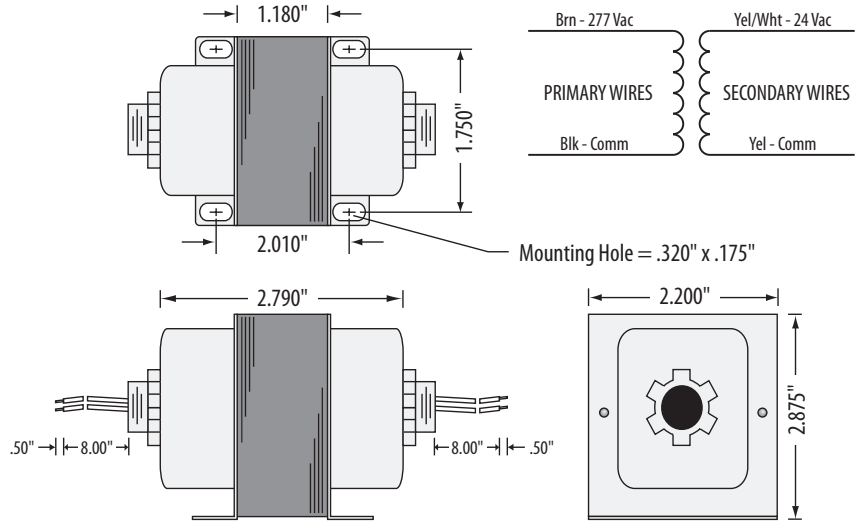
Transformer 50 VA, 277 to 24 Vac, Foot and Dual Threaded Hub Mount



Functional Devices, Inc. A600C 2005



- VA Rating:** 50
- Frequency:** 50/60 Hz
- Mounting:** Foot & Dual Threaded Hubs
- Over Current Protection:** 3 Amp Fuse
- Dimensions:** 2.875" x 2.200" x 2.790"
(w/ .500" NPT Hubs)
- Wire Length:** 8" Typical w/ .5" Strip
- Operating Temperature:** -30 to 140° F
- MTBF:** 100,000 Hours @ 77° F
- Construction:** Split-Bobbin
- Weight:** 2.17 lbs.
- Approvals:** Class II UL1585 Listed, US / Canada
CE Approved



Notes: