

TR50VA001

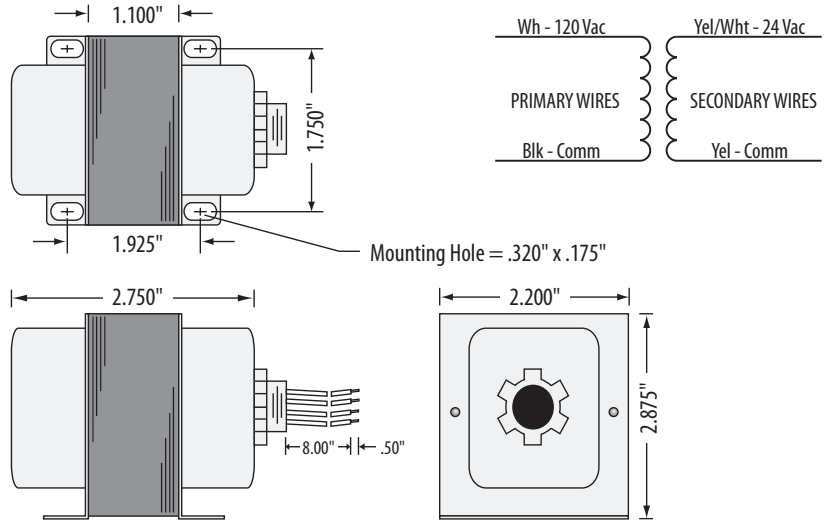
Transformer 50 VA, 120 to 24 Vac, Foot and Single Threaded Hub Mount



Functional Devices, Inc. A600C 2005



- VA Rating:** 50
- Frequency:** 50/60 Hz
- Mounting:** Foot & Single Threaded Hub
- Over Current Protection:** 3 Amp Fuse
- Dimensions:** 2.875" x 2.200" x 2.750"
(w/ .500" NPT Hub)
- Wire Length:** 8" Typical w/ .5" Strip
- Operating Temperature:** -30 to 140° F
- MTBF:** 100,000 Hours @ 77° F
- Construction:** Split-Bobbin
- Weight:** 2.14 lbs.
- Approvals:** Class II UL1585 Listed, US / Canada
CE Approved



Notes:

TRANSFORMER PHASE MARKING

The primary black wire is in phase with the secondary yellow wire with the white stripe.
 The primary white wire is in phase with the secondary yellow wire.

Wiring Diagram for Grounded Secondary

FIGURE 1

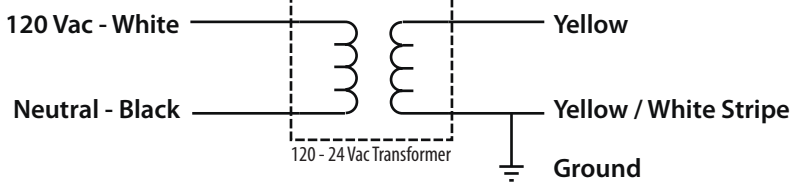


FIGURE 2

