

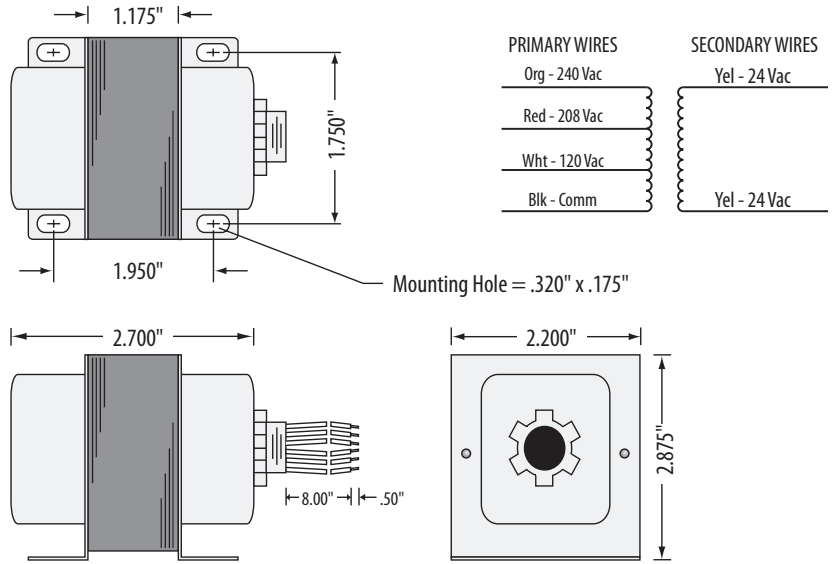
## TR40VA015

### Transformer 40 VA, 240/208/120 to 24 Vac, Foot and Single Threaded Hub Mount



Functional Devices, Inc. A600C 2005

**VA Rating:** 40VA  
**Frequency:** 50/60 Hz  
**Mounting:** Foot & Single Threaded Hub  
TRMP44K0 Mounting Plate Provided  
**Over Current Protection:** Thermal Fuse  
**Dimensions:** 2.875" x 2.200" x 2.700"  
(w/ .500" NPT Hub)  
**Wire Length:** 8" Typical w/ .5" Strip  
**Operating Temperature:** -30 to 140° F  
**MTBF:** 100,000 Hours @ 77° F  
**Construction:** Split-Bobbin  
**Weight:** 1.96 lbs.  
**Approvals:** Class II UL1585 Listed, US / Canada  
CE Approved



## Notes: