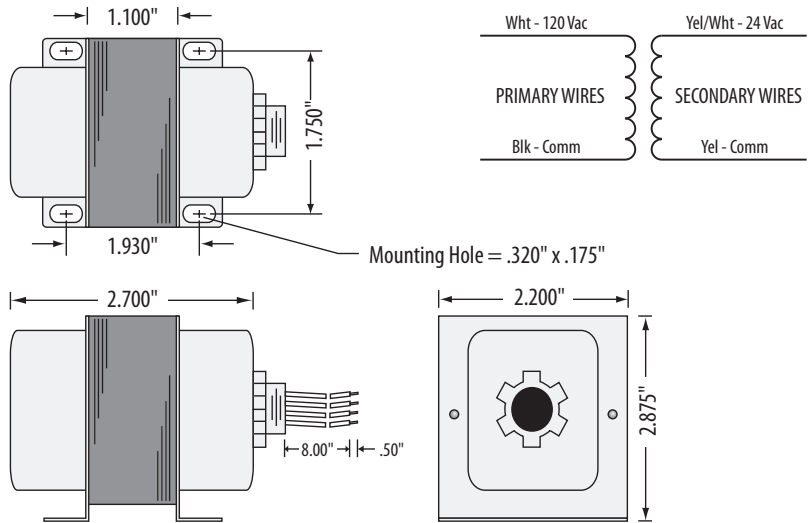


**TR40VA001** Transformer 40 VA, 120 to 24 Vac, Foot and Single Threaded Hub Mount



Functional Devices, Inc. A600C 2005

- VA Rating:** 40
- Frequency:** 50/60 Hz
- Mounting:** Foot & Single Threaded Hub
- Over Current Protection:** Inherently Limited
- Dimensions:** 2.875" x 2.200" x 2.700"  
(w/ .500" NPT Hub)
- Wire Length:** 8" Typical w/ .5" Strip
- Operating Temperature:** -30 to 140° F
- MTBF:** 100,000 Hours @ 77° F
- Construction:** Split-Bobbin
- Weight:** 2.02 lbs.
- Approvals:** Class II UL1585 Listed, US / Canada  
CE Approved



**Notes:**

**TRANSFORMER PHASE MARKING**

The primary black wire is in phase with the secondary yellow wire with the white stripe.  
 The primary white wire is in phase with the secondary yellow wire.

**Wiring Diagram for Grounded Secondary**

