

RIBXLSA

Enclosed Internal Adjustable .50-10 Amp Current Sensor + Relay 10 Amp SPST + Override with 10-30 Vac/dc Coil



Functional Devices, Inc. A600C 2005



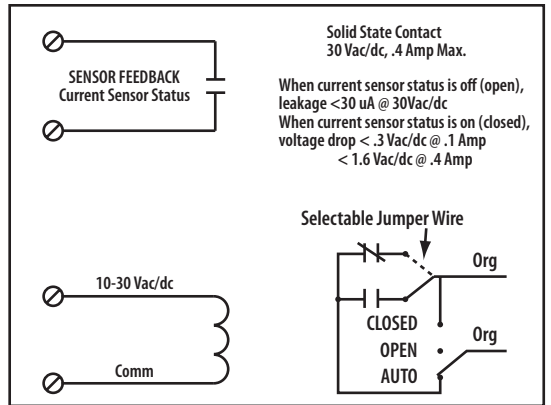
Relays & Contact Type: One (1) SPST Continuous Duty Coil
Expected Relay Life: 10 million cycles minimum mechanical
Operating Temperature: -30 to 140° F
Operate Time: 20mS
Relay Status: LED On = Activated
Dimensions: 4.00" x 4.00" x 1.80" with .50" NPT Nipple
Wire Length: 16", 600V Rated
Approvals: UL Listed, UL916, UL864, C-UL Canada
 California State Fire Marshal, CE Approved
Housing Rating: Plenum, NEMA 1
Gold Flash: Yes
Override Switch: Yes

Contact Ratings:
 10 Amp Resistive @ 277 Vac
 480 VA Pilot Duty @ 277 Vac
 480 VA Ballast @ 277 Vac
 600 Watt Tungsten @ 120 Vac N/O
 240 Watt Tungsten @ 120 Vac N/C
 1/3 HP for N/O @ 120-240 Vac
 1/6 HP for N/C @ 120-240 Vac
 1/4 HP for N/O @ 277 Vac
 1/8 HP for N/C @ 277 Vac

Coil Current:
 30 mA @ 10 Vac 12 mA @ 10 Vdc
 32 mA @ 12 Vac 14 mA @ 12 Vdc
 42 mA @ 24 Vac 16 mA @ 24 Vdc
 50 mA @ 30 Vac 18 mA @ 30 Vdc

Coil Voltage Input:
 10-30 Vac/dc ; 50-60 Hz
 Drop Out = 2.1 Vac / 2.8 Vdc
 Pull In = 9 Vac / 10 Vdc

Notes:
 » Normally Open or Normally Closed selected by yellow jumper wire

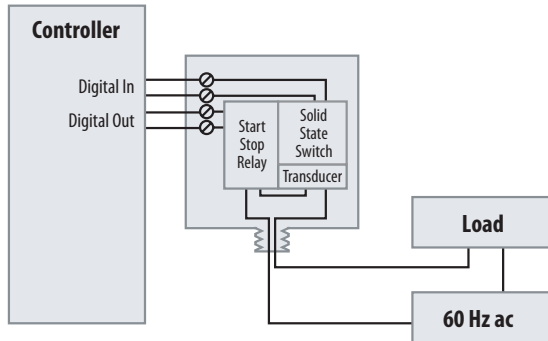


Sensor Type: Internal, with contact status
Sensor Threshold: Adjustable, .50-10 Amps
Sensor Range: .50-10 Amps
Sensor Output: Solid State Contact 30 Vac/dc, 0.4 Amp

Notes:

RELAY & CURRENT SENSOR IN ONE

Directly start/stop load and current sensing all in one package (no external ring is needed). Wire colors to "Load" and "60 Hz ac" differ depending on the model being used. Configurations are either YELLOW & ORANGE, BLUE & YELLOW, or ORANGE & ORANGE.



| <u>INTERNAL 20 AMP</u> | <u>INTERNAL 10 AMP</u> | <u>INTERNAL 5 AMP</u> |
|------------------------|------------------------|-----------------------|
| RIBX24BF | RIBXLCF | RIBXLCEA |
| RIBX24SBF | RIBXLSF | RIBXLSEA |
| RIBX24BA | RIBXLCA | |
| RIBX24SBA | RIBXLSA | |