



Functional Devices, Inc.
310 South Union Street
Russiaville, IN 46979
www.functionaldevices.com

Office: (765) 883-5538
Sales: (800) 888-5538
Fax: (765) 883-7505
Email: sales@functionaldevices.com

Manufacturing quality products in the United States of America since 1969

RIBXLCV

Enclosed Internal 0-10 Amp Current Transducer + Relay 10 Amp SPDT with 10-30 Vac/dc Coil

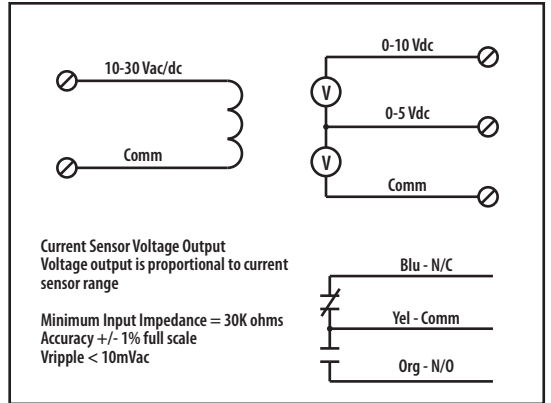


Functional Devices, Inc. A600C 2005



Contact Ratings:

10 Amp Resistive @ 120-277 Vac
10 Amp Resistive @ 28 Vdc
480 VA Pilot Duty @ 240-277 Vac
480 VA Ballast @ 277 Vac
600 Watt Tungsten @ 120 Vac N/O
240 Watt Tungsten @ 120 Vac N/C
1/3 HP for N/O @ 120-240 Vac
1/6 HP for N/C @ 120-240 Vac
1/4 HP for N/O @ 277 Vac
1/8 HP for N/C @ 277 Vac



Relays & Contact Type: One (1) SPDT Continuous Duty Coil
Expected Relay Life: 10 million cycles minimum mechanical
Operating Temperature: -30 to 140° F
Operate Time: 20mS
Relay Status: LED On = Activated
Dimensions: 4.00" x 4.00" x 1.80" with .50" NPT Nipple
Wire Length: 16", 600V Rated
Approvals: UL Listed, UL916, UL864, C-UL Canada
California State Fire Marshal, CE Approved
Housing Rating: Plenum, NEMA 1
Gold Flash: Yes
Override Switch: No

Coil Current:

30 mA @ 10 Vac	12 mA @ 10 Vdc
32 mA @ 12 Vac	14 mA @ 12 Vdc
42 mA @ 24 Vac	16 mA @ 24 Vdc
50 mA @ 30 Vac	18 mA @ 30 Vdc

Coil Voltage Input:

10-30 Vac/dc; 50-60 Hz
Drop Out = 2.1 Vac / 2.8 Vdc
Pull In = 9 Vac / 10 Vdc

Sensor Type: Internal, with voltage output
Sensor Range: 0-10 Amps

Notes: