

RIBXLCEV

Enclosed Internal 0-5 Amp Current Transducer + Relay 5 Amp SPDT with 10-30 Vac/dc Coil



Functional Devices, Inc. A600C 2005



Contact Ratings:

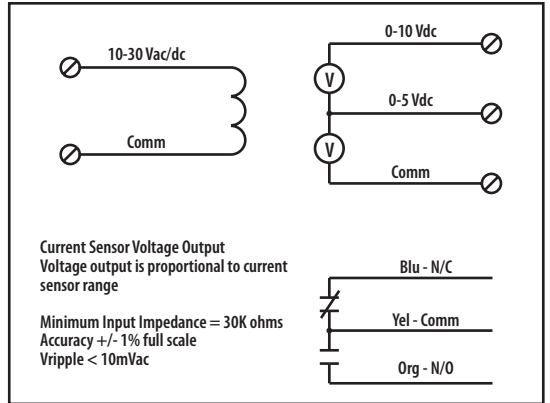
5 Amp Resistive @ 277 Vac
345 VA Pilot Duty @ 120/240 Vac N/O
268 VA Pilot Duty @ 277 Vac N/O
211 VA Pilot Duty @ 120/240 Vac N/C
175 VA Pilot Duty @ 277 Vac N/C
1/3 HP for N/O @ 120-240 Vac
1/6 HP for N/C @ 120-240 Vac
1/4 HP for N/O @ 277 Vac
1/8 HP for N/C @ 277 Vac

Coil Current:

30 mA @ 10 Vac	12 mA @ 10 Vdc
32 mA @ 12 Vac	14 mA @ 12 Vdc
42 mA @ 24 Vac	16 mA @ 24 Vdc
50 mA @ 30 Vac	18 mA @ 30 Vdc

Coil Voltage Input:

10-30 Vac/dc ; 50-60 Hz
Drop Out = 2.1 Vac / 2.8 Vdc
Pull In = 9 Vac / 10 Vdc



Sensor Type: Internal, with voltage output
Sensor Range: 0-5 Amps

Relays & Contact Type: One (1) SPDT Continuous Duty Coil
Expected Relay Life: 10 million cycles minimum mechanical
Operating Temperature: -30 to 140° F
Operate Time: 20mS
Relay Status: LED On = Activated
Dimensions: 4.00" x 4.00" x 1.80" with .50" NPT Nipple
Wire Length: 16", 600V Rated
Approvals: UL Listed, UL916, UL864, C-UL Canada
California State Fire Marshal, CE Approved
Housing Rating: Plenum, NEMA 1
Gold Flash: Yes
Override Switch: No

Notes: