

RIBXLCEA

Enclosed Internal Adjustable .125-5 Amp Current Sensor + Relay 5 Amp SPDT with 10-30 Vac/dc Coil



Functional Devices, Inc. A600C 2005



Contact Ratings:

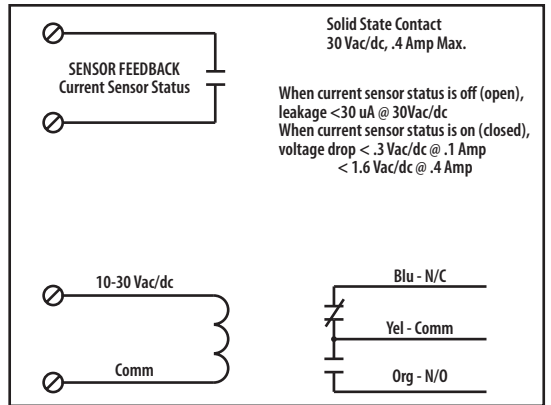
5 Amp Resistive @ 277 Vac
 345 VA Pilot Duty @ 120/240 Vac N/O
 268 VA Pilot Duty @ 277 Vac N/O
 211 VA Pilot Duty @ 120/240 Vac N/C
 175 VA Pilot Duty @ 277 Vac N/C
 1/3 HP for N/O @ 120-240 Vac
 1/6 HP for N/C @ 120-240 Vac
 1/4 HP for N/O @ 277 Vac
 1/8 HP for N/C @ 277 Vac

Coil Current:

30 mA @ 10 Vac	12 mA @ 10 Vdc
32 mA @ 12 Vac	14 mA @ 12 Vdc
42 mA @ 24 Vac	16 mA @ 24 Vdc
50 mA @ 30 Vac	18 mA @ 30 Vdc

Coil Voltage Input:

10-30 Vac/dc ; 50-60 Hz
 Drop Out = 2.1 Vac / 2.8 Vdc
 Pull In = 9 Vac / 10 Vdc



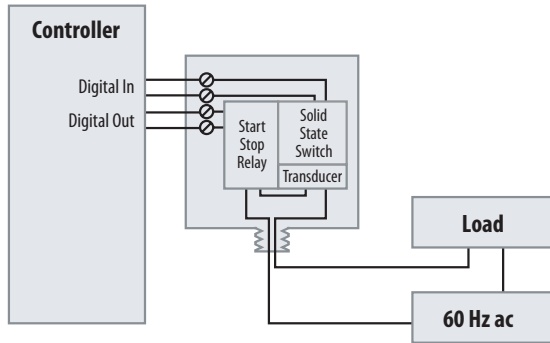
Sensor Type: Internal, with contact status
Sensor Threshold: Adjustable, .125-5 Amps
Sensor Range: .125-5 Amps
Sensor Output: Solid State Contact 30 Vac/dc, 0.4 Amp

Relays & Contact Type: One (1) SPDT Continuous Duty Coil
Expected Relay Life: 10 million cycles minimum mechanical
Operating Temperature: -30 to 140° F
Operate Time: 20mS
Relay Status: LED On = Activated
Dimensions: 4.00" x 4.00" x 1.80" with .50" NPT Nipple
Wire Length: 16", 600V Rated
Approvals: UL Listed, UL916, UL864, C-UL Canada
 California State Fire Marshal
Housing Rating: Plenum, NEMA 1
Gold Flash: Yes
Override Switch: No

Notes:

RELAY & CURRENT SENSOR IN ONE

Directly start/stop load and current sensing all in one package (no external ring is needed). Wire colors to "Load" and "60 Hz ac" differ depending on the model being used. Configurations are either YELLOW & ORANGE, BLUE & YELLOW, or ORANGE & ORANGE.



INTERNAL 20 AMP

RIBX24BF
 RIBX24SBF
 RIBX24BA
 RIBX24SBA

INTERNAL 10 AMP

RIBXLCF
 RIBXLSF
 RIBXLCA
 RIBXLSA

INTERNAL 5 AMP

RIBXLCEA
 RIBXLSEA