



Functional Devices, Inc.
310 South Union Street
Russiaville, IN 46979
www.functionaldevices.com

Office: (765) 883-5538
Sales: (800) 888-5538
Fax: (765) 883-7505
Email: sales@functionaldevices.com

Manufacturing quality products in the United States of America since 1969

RIBXLC

Enclosed Internal Adjustable .50-10 Amp Current Sensor + Relay 10 Amp SPDT with 10-30 Vac/dc Coil



Functional Devices, Inc. A600C 2005



Contact Ratings:

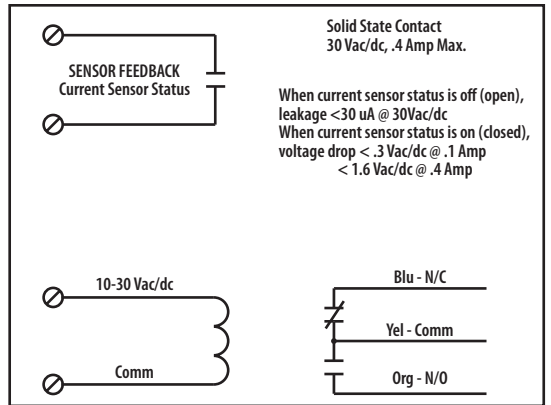
10 Amp Resistive @ 120-277 Vac
10 Amp Resistive @ 28 Vdc
480 VA Pilot Duty @ 240-277 Vac
480 VA Ballast @ 277 Vac
600 Watt Tungsten @ 120 Vac N/O
240 Watt Tungsten @ 120 Vac N/C
1/3 HP for N/O @ 120-240 Vac
1/6 HP for N/C @ 120-240 Vac
1/4 HP for N/O @ 277 Vac
1/8 HP for N/C @ 277 Vac

Coil Current:

30 mA @ 10 Vac 12 mA @ 10 Vdc
32 mA @ 12 Vac 14 mA @ 12 Vdc
42 mA @ 24 Vac 16 mA @ 24 Vdc
50 mA @ 30 Vac 18 mA @ 30 Vdc

Coil Voltage Input:

10-30 Vac/dc; 50-60 Hz
Drop Out = 2.1 Vac / 2.8 Vdc
Pull In = 9 Vac / 10 Vdc



Solid State Contact
30 Vac/dc, .4 Amp Max.

When current sensor status is off (open),
leakage <30 uA @ 30Vac/dc
When current sensor status is on (closed),
voltage drop < .3 Vac/dc @ .1 Amp
< 1.6 Vac/dc @ .4 Amp

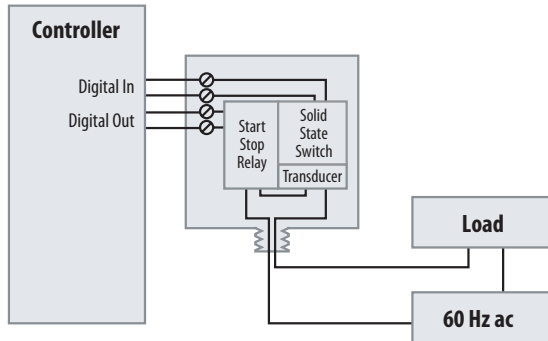
Sensor Type: Internal, with contact status
Sensor Threshold: Adjustable, .50-10 Amps
Sensor Range: .50-10 Amps
Sensor Output: Solid State Contact 30 Vac/dc, 0.4 Amp

Relays & Contact Type: One (1) SPDT Continuous Duty Coil
Expected Relay Life: 10 million cycles minimum mechanical
Operating Temperature: -30 to 140° F
Operate Time: 20mS
Relay Status: LED On = Activated
Dimensions: 4.00" x 4.00" x 1.80" with .50" NPT Nipple
Wire Length: 16", 600V Rated
Approvals: UL Listed, UL916, UL864, C-UL Canada
California State Fire Marshal, CE Approved
Housing Rating: Plenum, NEMA 1
Gold Flash: Yes
Override Switch: No

Notes:

RELAY & CURRENT SENSOR IN ONE

Directly start/stop load and current sensing all in one package (no external ring is needed). Wire colors to "Load" and "60 Hz ac" differ depending on the model being used. Configurations are either YELLOW & ORANGE, BLUE & YELLOW, or ORANGE & ORANGE.



INTERNAL 20 AMP

RIBX24BF
RIBX24SBF
RIBX24BA
RIBX24SBA

INTERNAL 10 AMP

RIBXLCF
RIBXLSF
RIBXLC
RIBXLSA

INTERNAL 5 AMP

RIBXLCEA
RIBXLESA