

RIBX24SBA

Enclosed Internal Adjustable .50-20 Amp Current Sensor + Relay 20 Amp SPST + Override with 24 Vac/dc Coil



Functional Devices, Inc. A600C 2005



Contact Ratings:

20 Amp Resistive @ 277 Vac
20 Amp Ballast @ 277 Vac N/O
10 Amp Ballast @ 277 Vac N/C
10 Amp Tungsten @ 120 Vac N/O
1,110 VA Pilot Duty @ 277 Vac
770 VA Pilot Duty @ 120 Vac
240 Watt Tungsten @ 120 Vac N/C
2 HP @ 277 Vac
1 HP @ 120 Vac

Coil Current:

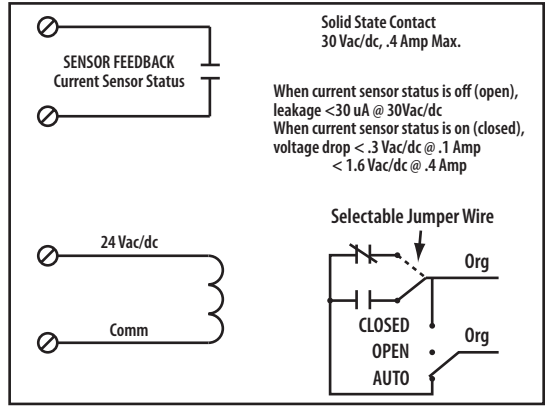
45 mA @ 18 Vac
75 mA @ 24 Vac
30 mA @ 22 Vdc
32 mA @ 24 Vdc
42 mA @ 30 Vdc

Coil Voltage Input:

24 Vac/dc; 50-60 Hz
Drop Out = 3 Vac / 3.8 Vdc
Pull In = 18 Vac / 22 Vdc

Notes:

» Normally Open or Normally Closed selected by yellow jumper wire



Solid State Contact
30 Vac/dc, .4 Amp Max.

When current sensor status is off (open),
leakage <30 uA @ 30Vac/dc
When current sensor status is on (closed),
voltage drop <.3 Vac/dc @ .1 Amp
<1.6 Vac/dc @ .4 Amp

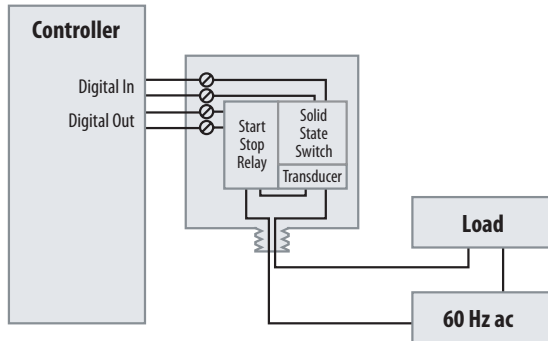
Sensor Type: Internal, with contact status
Sensor Threshold: Adjustable, .50-20 Amps
Sensor Range: .50-20 Amps
Sensor Output: Solid State Contact 30 Vac/dc, 0.4 Amp

Relays & Contact Type: One (1) SPST Continuous Duty Coil
Expected Relay Life: 10 million cycles minimum mechanical
Operating Temperature: -30 to 140° F
Operate Time: 18mS
Relay Status: LED On = Activated
Dimensions: 4.00" x 4.00" x 1.80" with .50" NPT Nipple
Wire Length: 16", 600V Rated
Approvals: UL Listed, UL916, UL864, C-UL Canada
California State Fire Marshal, CE Approved
Housing Rating: Plenum, NEMA 1
Gold Flash: No
Override Switch: Yes

Notes:

RELAY & CURRENT SENSOR IN ONE

Directly start/stop load and current sensing all in one package (no external ring is needed). Wire colors to "Load" and "60 Hz ac" differ depending on the model being used. Configurations are either YELLOW & ORANGE, BLUE & YELLOW, or ORANGE & ORANGE.



INTERNAL 20 AMP

RIBX24BF
RIBX24SBF
RIBX24BA
RIBX24SBA

INTERNAL 10 AMP

RIBXLCF
RIBXLSF
RIBXLCA
RIBXLSA

INTERNAL 5 AMP

RIBXLCEA
RIBXLSEA