

## RIBX24BV

### Enclosed Internal 0-20 Amp Current Transducer + Relay 20 Amp SPDT with 24 Vac/dc Coil



Functional Devices, Inc. A600C 2005



#### Contact Ratings:

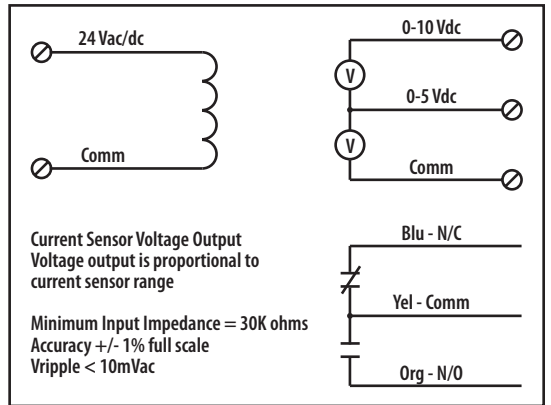
20 Amp Resistive @ 277 Vac  
20 Amp Ballast @ 277 Vac N/O  
10 Amp Ballast @ 277 Vac N/C  
10 Amp Tungsten @ 120 Vac N/O  
1,110 VA Pilot Duty @ 277 Vac  
770 VA Pilot Duty @ 120 Vac  
240 Watt Tungsten @ 120 Vac N/C  
2 HP @ 277 Vac  
1 HP @ 120 Vac

#### Coil Current:

45 mA @ 18 Vac  
75 mA @ 24 Vac  
30 mA @ 22 Vdc  
32 mA @ 24 Vdc  
42 mA @ 30 Vdc

#### Coil Voltage Input:

24 Vac/dc; 50-60 Hz  
Drop Out = 3 Vac / 3.8 Vdc  
Pull In = 18 Vac / 22 Vdc



**Sensor Type:** Internal, with voltage output  
**Sensor Range:** 0-20 Amps

**# Relays & Contact Type:** One (1) SPDT Continuous Duty Coil  
**Expected Relay Life:** 10 million cycles minimum mechanical  
**Operating Temperature:** -30 to 140° F  
**Operate Time:** 18mS  
**Relay Status:** LED On = Activated  
**Dimensions:** 4.00" x 4.00" x 1.80" with .50" NPT Nipple  
**Wire Length:** 16", 600V Rated  
**Approvals:** UL Listed, UL916, UL864, C-UL Canada  
California State Fire Marshal, CE Approved  
**Housing Rating:** Plenum, NEMA 1  
**Gold Flash:** No  
**Override Switch:** No

## Notes: