

RIBTELC

Enclosed Relay Hi/Low Separation 10 Amp SPDT 10-30 Vac/dc Power + 5-25 Vac/dc Control Input



Functional Devices, Inc. A600C 2005



Contact Ratings:

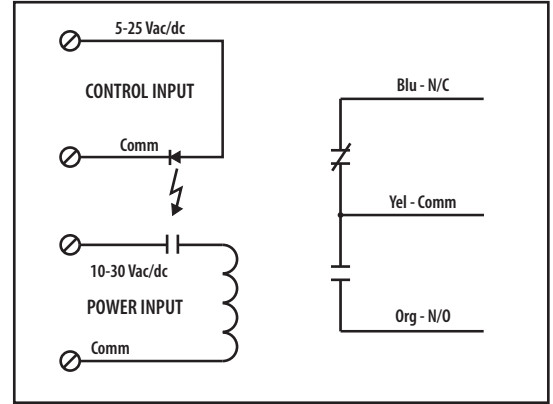
10 Amp Resistive @ 120-277 Vac
10 Amp Resistive @ 28 Vdc
480 VA Pilot Duty @ 240-277 Vac
480 VA Ballast @ 277 Vac
600 Watt Tungsten @ 120 Vac N/O
240 Watt Tungsten @ 120 Vac N/C
1/3 HP for N/O @ 120-240 Vac
1/6 HP for N/C @ 120-240 Vac
1/4 HP for N/O @ 277 Vac
1/8 HP for N/C @ 277 Vac

Power Input Ratings:

30 mA @ 10 Vac	12 mA @ 10 Vdc
32 mA @ 12 Vac	14 mA @ 12 Vdc
42 mA @ 24 Vac	16 mA @ 24 Vdc
50 mA @ 30 Vac	18 mA @ 30 Vdc

Control Input Ratings:

.4 mA @ 5 Vdc
.9 mA @ 10 Vdc
1 mA @ 12 Vdc
2 mA @ 24 Vdc
3 mA @ 24 Vac
(Non Polarized)

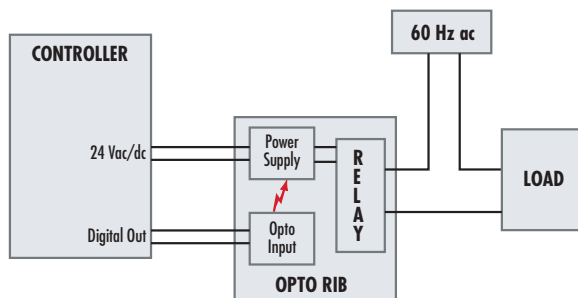


Power Input: 10-30 Vac/dc, 50-60 Hz
Control Input: 5-25 Vac/dc, 50-60 Hz
Relays & Contact Type: One (1) SPDT Continuous Duty Coil
Expected Relay Life: 10 million cycles minimum mechanical
Operating Temperature: -30 to 140° F
Operate Time: 20mS
Relay Status: LED On = Activated
Dimensions: 4.00" x 4.00" x 1.80" with .50" NPT Nipple
Wires: 16", 600V Rated
Approvals: UL Listed, UL916, UL864, C-UL Canada
California State Fire Marshal, CE Approved
Housing Rating: Plenum, NEMA 1
Gold Flash: Yes
Override Switch: No

Notes:

LOW VOLTAGE OPTOISOLATED RELAYS

Optoisolated relays help isolate noisy loads from the controller. Good for controlling power relays from analog outputs.



ENCLOSED RELAYS

RIBTELC
RIBTELS
RIBTE24B
RIBTE24SB
RIBTE24P

TRACK RELAYS

RIBME2401B
RIBME2402B
RIBME2401SB
RIBME2402SB
RIBME2401P
RIBME2402P