

RIBTE24P

Enclosed Relay Hi/Low Separation 20 Amp DPDT, 24 Vac/dc Power + 5-25 Vac/dc Control Input



Functional Devices, Inc. A600C 2005



Contact Ratings:

20 Amp Resistive @ 300 Vac
20 Amp Resistive @ 28 Vdc
15 Amp Resistive @ 600 Vac
20 Amp Ballast @ 277-480 Vac
770 VA Pilot Duty @ 120 Vac
1158 VA Pilot Duty @ 240 Vac
1110 VA Pilot Duty @ 277 Vac
1640 VA Pilot Duty @ 480 Vac
3 HP @ 480-600 Vac
2 HP @ 240-277 Vac
1 HP @ 120 Vac

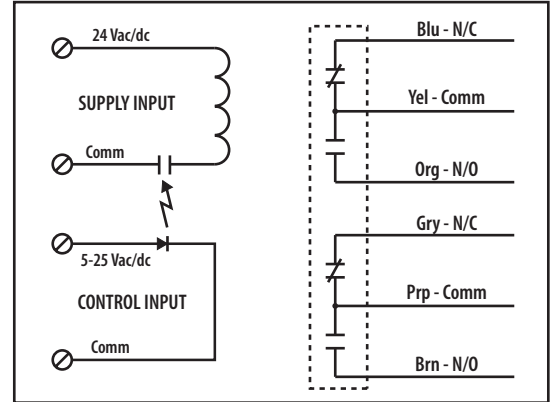
Power Input Ratings:

100 mA @ 20 Vac
125 mA @ 24 Vac
50 mA @ 20 Vdc
50 mA @ 24 Vdc
70 mA @ 30 Vdc

Control Input Ratings:

.4 mA @ 5 Vdc
.9 mA @ 10 Vdc
1 mA @ 12 Vdc
2 mA @ 24 Vdc
3 mA @ 24 Vac
(Non Polarized)

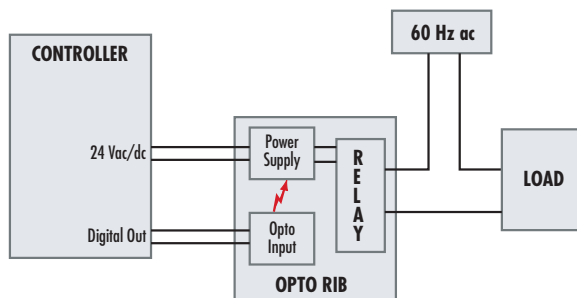
Power Input: 24 Vac/dc, 50-60 Hz
Control Input: 5-25 Vac/dc, 50-60 Hz
Relays & Contact Type: One (1) DPDT Continuous Duty Coil
Expected Relay Life: 10 million cycles minimum mechanical
Operating Temperature: -30 to 140° F
Operate Time: 18mS
Relay Status: LED On = Activated
Dimensions: 4.00" x 4.00" x 1.80" with .50" NPT Nipple
Wires: 16", 600V Rated
Approvals: UL Listed, UL916, UL864, C-UL Canada
California State Fire Marshal, CE Approved
Housing Rating: Plenum, NEMA 1
Gold Flash: Yes
Override Switch: No



Notes:

LOW VOLTAGE OPTOISOLATED RELAYS

Optoisolated relays help isolate noisy loads from the controller. Good for controlling power relays from analog outputs.



ENCLOSED RELAYS

RIBTELC
RIBTELS
RIBTE24B
RIBTE24SB
RIBTE24P

TRACK RELAYS

RIBME2401B
RIBME2402B
RIBME2401SB
RIBME2402SB
RIBME2401P
RIBME2402P