

RIBTE01P

Enclosed Relay Hi/Low Separation 20 Amp DPDT, 120 Vac/dc Power + 5-25 Vac/dc Control Input



Functional Devices, Inc. A600C 2005



Contact Ratings:

20 Amp Resistive @ 300 Vac
20 Amp Resistive @ 28 Vdc
15 Amp Resistive @ 600 Vac
20 Amp Ballast @ 277-480 Vac
770 VA Pilot Duty @ 120 Vac
1158 VA Pilot Duty @ 240 Vac
1110 VA Pilot Duty @ 277 Vac
1640 VA Pilot Duty @ 480 Vac
3 HP @ 480-600 Vac
2 HP @ 240-277 Vac
1 HP @ 120 Vac

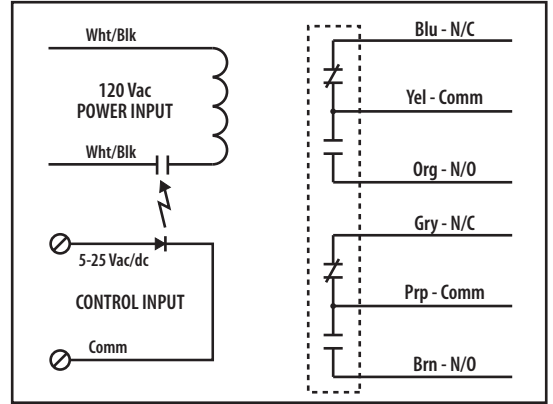
Power Input Ratings:

100 mA @ 120 Vac

Control Input Ratings:

.4 mA @ 5 Vdc
.9 mA @ 10 Vdc
1 mA @ 12 Vdc
2 mA @ 24 Vdc
3 mA @ 24 Vdc
(Non Polarized)

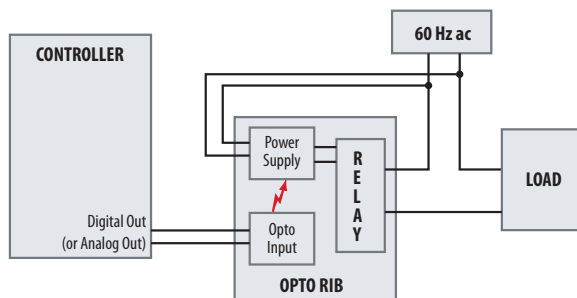
Power Input: 120 Vac, 50-60 Hz
Control Input: 5-25 Vac/dc, 50-60 Hz
Relays & Contact Type: One (1) DPDT Continuous Duty Coil
Expected Relay Life: 10 million cycles minimum mechanical
Operating Temperature: -30 to 140° F
Operate Time: 18mS
Relay Status: LED On = Activated
Dimensions: 4.00" x 4.00" x 1.80" with .50" NPT Nipple
Wires: 16", 600V Rated
Approvals: UL Listed, UL916, UL864, C-UL Canada
California State Fire Marshal, CE Approved
Housing Rating: Plenum, NEMA 1
Gold Flash: Yes
Override Switch: No



Notes:

HIGH VOLTAGE OPTOISOLATED RELAYS

Optoisolated relays help isolate noisy loads from the controller. Good for controlling power relays from analog outputs.



ENCLOSED RELAYS

RIBTE01B
RIBTE02B
RIBTE01SB
RIBTE02SB
RIBTE01P
RIBTE02P

TRACK RELAYS

RIBME2401B
RIBME2402B
RIBME2401SB
RIBME2402SB
RIBME2401P
RIBME2402P