

RIBTE01B

Enclosed Relay Hi/Low Separation 20 Amp SPDT, 120 Vac/dc Power + 5-25 Vac/dc Control Input



Functional Devices, Inc. A600C 2005



Contact Ratings:

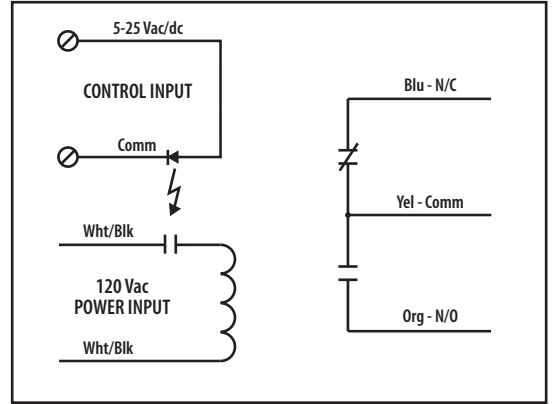
20 Amp Resistive @ 277 Vac
1110 VA Pilot Duty @ 277 Vac
770 VA Pilot Duty @ 120 Vac
20 Amp Ballast @ 277 Vac N/O
10 Amp Ballast @ 277 Vac N/C
10 Amp Tungsten @ 120 Vac N/O
240 Watt Tungsten @ 120 Vac N/C
2 HP @ 277 Vac
1 HP @ 120 Vac

Power Input Ratings:

42 mA @ 120 Vac

Control Input Ratings:

.4 mA @ 5 Vdc
.9 mA @ 10 Vdc
1 mA @ 12 Vdc
2 mA @ 24 Vdc
3 mA @ 24 Vac
(Non Polarized)

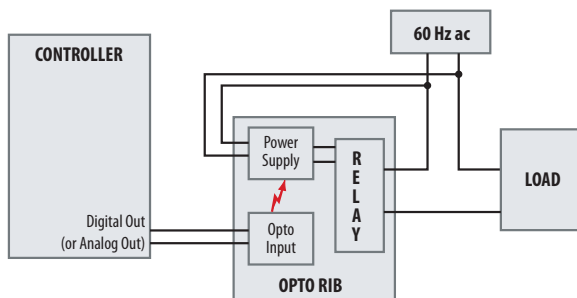


Power Input: 120 Vac, 50-60 Hz
Control Input: 5-25 Vac/dc, 50-60 Hz
Relays & Contact Type: One (1) SPDT Continuous Duty Coil
Expected Relay Life: 10 million cycles minimum mechanical
Operating Temperature: -30 to 140° F
Operate Time: 18mS
Relay Status: LED On = Activated
Dimensions: 4.00" x 4.00" x 1.80" with .50" NPT Nipple
Wires: 16", 600V Rated
Approvals: UL Listed, UL916, UL864, C-UL Canada
California State Fire Marshal, CE Approved
Housing Rating: Plenum, NEMA 1
Gold Flash: No
Override Switch: No

Notes:

HIGH VOLTAGE OPTOISOLATED RELAYS

Optoisolated relays help isolate noisy loads from the controller. Good for controlling power relays from analog outputs.



ENCLOSED RELAYS

RIBTE01B
RIBTE02B
RIBTE01SB
RIBTE02SB
RIBTE01P
RIBTE02P

TRACK RELAYS

RIBME2401B
RIBME2402B
RIBME2401SB
RIBME2402SB
RIBME2401P
RIBME2402P