



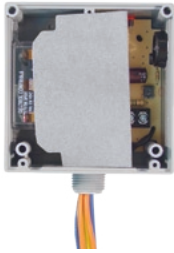
Functional Devices, Inc.
 310 South Union Street
 Russiaville, IN 46979
 www.functionaldevices.com

Office: (765) 883-5538
 Sales: (800) 888-5538
 Fax: (765) 883-7505
 Email: sales@functionaldevices.com

Manufacturing quality products in the United States of America since 1969

RIBT243P

Enclosed Relay Hi/Low Separation 20 Amp TPST-N/O with 24 Vac/dc Coil



Functional Devices, Inc. A600C 2005



Contact Ratings:

20 Amp Resistive @ 300 Vac
 20 Amp Resistive @ 28 Vdc
 20 Amp Ballast @ 277-480 Vac
 15 Amp Resistive @ 600 Vac
 7.5 HP @ 480 Vac, 3 Phase
 5 HP @ 240 Vac, 3 Phase
 3 HP @ 480-600 Vac, 1 Phase
 2 HP @ 240-277 Vac, 1 Phase
 1 HP @ 120 Vac, 1 Phase

Coil Current:

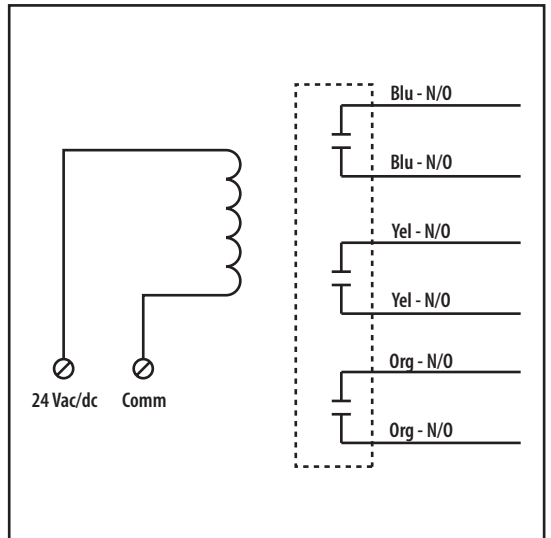
190 mA @ 24 Vac
 140 mA @ 30 Vdc

Coil Voltage Input:

24 Vac/dc; 50-60 Hz
 Drop Out = 3 Vac / 3.8 Vdc
 Pull In = 20 Vac / 20 Vdc

Notes:

» Order Normally Closed by adding "-NC" to end of model number



Relays & Contact Type: One (1) TPST-N/O Continuous Duty Coil
Expected Relay Life: 10 million cycles minimum mechanical
Operating Temperature: -30 to 140° F
Operate Time: 20mS
Relay Status: LED On = Activated
Dimensions: 4.00" x 4.00" x 1.80" with .50" NPT Nipple
Wires: 16', 600V Rated
Approvals: UL Listed, UL916, UL864, C-UL Canada
 California State Fire Marshal, CE Approved
Housing Rating: Plenum, NEMA 1
Gold Flash: No
Override Switch: No

Notes: