



Functional Devices, Inc.
 310 South Union Street
 Russiaville, IN 46979
 www.functionaldevices.com

Office: (765) 883-5538
 Sales: (800) 888-5538
 Fax: (765) 883-7505
 Email: sales@functionaldevices.com

Manufacturing quality products in the United States of America since 1969

RIBT2401SB

Enclosed Relay Hi/Low Separation 20 Amp SPST + Override with 24 Vac/dc/120 Vac Coil



Functional Devices, Inc. A600C 2005



Contact Ratings:

20 Amp Resistive @ 277 Vac
 20 Amp Ballast N/O @ 120/277 Vac
 10 Amp Ballast N/C @ 120/277 Vac
 10 Amp Tungsten N/O @ 120 Vac
 1110 VA Pilot Duty @ 277 Vac
 770 VA Pilot Duty @ 120 Vac
 2 HP @ 277 Vac
 1 HP @ 120 Vac

Coil Current:

45 mA @ 18 Vac
 75 mA @ 24 Vac
 42 mA @ 120 Vac
 30 mA @ 22 Vdc
 32 mA @ 24 Vdc
 42 mA @ 30 Vdc

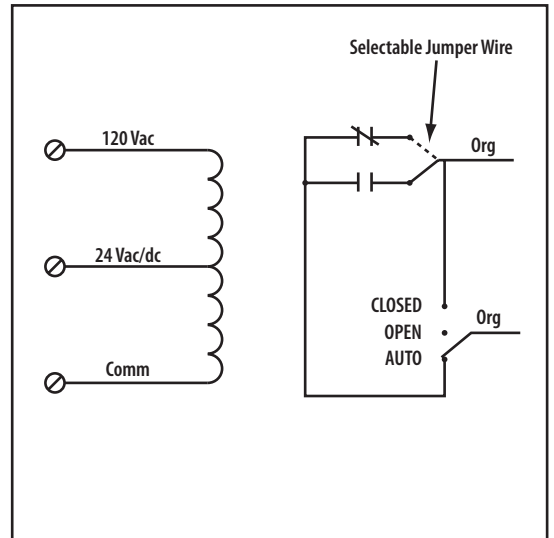
Coil Voltage Input:

24 Vac/dc ; 120 Vac ; 50-60 Hz
 Drop Out = 2.1 Vac / 3.8 Vdc
 Pull In = 18 Vac / 22 Vdc

Notes:

» Normally Open or Normally Closed selected by yellow jumper wire

Relays & Contact Type: One (1) SPST Continuous Duty Coil
Expected Relay Life: 10 million cycles minimum mechanical
Operating Temperature: -30 to 140° F
Operate Time: 18mS
Relay Status: LED On = Activated
Dimensions: 4.00" x 4.00" x 1.80" with .50" NPT Nipple
Wires: 16', 600V Rated
Approvals: UL Listed, UL916, UL864, C-UL Canada
 California State Fire Marshal, CE Approved
Housing Rating: Plenum, NEMA 1
Gold Flash: No
Override Switch: Yes



Notes: