



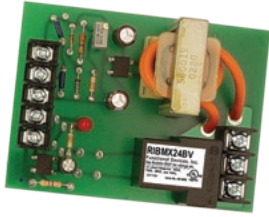
Functional Devices, Inc.  
 310 South Union Street  
 Russiaville, IN 46979  
 www.functionaldevices.com

Office: (765) 883-5538  
 Sales: (800) 888-5538  
 Fax: (765) 883-7505  
 Email: sales@functionaldevices.com

Manufacturing quality products in the United States of America since 1969

## RIBMX24BV

### 4.00" Track Mount Internal 0-20 Amp Current Transducer + Relay 20 Amp SPDT with 24 Vac/dc Coil



Functional Devices, Inc. A600C 2005



#### Contact Ratings:

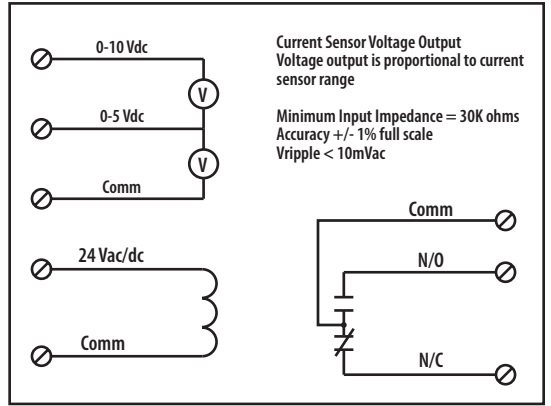
20 Amp Resistive @ 277 Vac  
 20 Amp Ballast @ 277 Vac N/O  
 10 Amp Ballast @ 277 Vac N/C  
 10 Amp Tungsten @ 120 Vac N/O  
 1,110 VA Pilot Duty @ 277 Vac  
 770 VA Pilot Duty @ 120 Vac  
 240 Watt Tungsten @ 120 Vac N/C  
 2 HP @ 277 Vac  
 1 HP @ 120 Vac

#### Coil Current:

45 mA @ 18 Vac  
 75 mA @ 24 Vac  
 30 mA @ 22 Vdc  
 32 mA @ 24 Vdc  
 42 mA @ 30 Vdc

#### Coil Voltage Input:

24 Vac/dc; 50-60 Hz  
 Drop Out = 3 Vac / 3.8 Vdc  
 Pull In = 18 Vac / 22 Vdc



**Sensor Type:** Internal, with voltage output  
**Sensor Range:** 0-20 Amps

**# Relays & Contact Type:** One (1) SPDT Continuous Duty Coil  
**Expected Relay Life:** 10 million cycles minimum mechanical  
**Operating Temperature:** -30 to 140° F  
**Operate Time:** 18mS  
**Relay Status:** LED On = Activated  
**Dimensions:** 2.95" x 4.00" x 1.25"  
**Track Mount:** 4.000"; See MT212 Series on page 128  
 MT4 Mounting Track Sold Separately  
**Approvals:** UL Listed, UL916, UL864, C-UL Canada  
 California State Fire Marshal, CE Approved  
**Gold Flash:** No  
**Override Switch:** No

## Notes: