

## RIBMU2C

### 4.00" Track Mount Relays 15 Amp 2 SPDT with 10-30 Vac/dc/120 Vac Coil



Functional Devices, Inc. A600C 2005



#### Contact Ratings:

15 Amp Inductive @ 150 Vac  
15 Amp Resistive @ 150 Vac, 28 Vdc  
10 Amp Resistive @ 120-277 Vac, 28 Vdc  
480 VA Pilot Duty @ 240-277 Vac  
480 VA Ballast @ 277 Vac  
600 Watt Tungsten @ 120 Vac N/O  
240 Watt Tungsten @ 120 Vac N/C  
1/3 HP for N/O @ 120-240 Vac  
1/6 HP for N/C @ 120-240 Vac  
1/4 HP for N/O @ 277 Vac  
1/8 HP for N/C @ 277 Vac

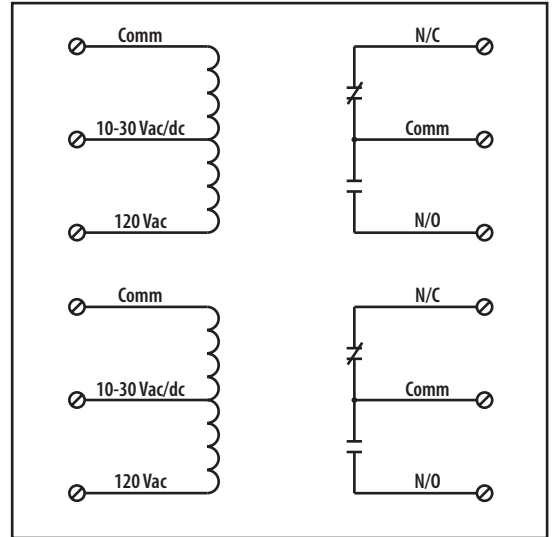
#### Coil Current:

30 mA @ 10 Vac	12 mA @ 10 Vdc
32 mA @ 12 Vac	14 mA @ 12 Vdc
42 mA @ 24 Vac	16 mA @ 24 Vdc
50 mA @ 30 Vac	18 mA @ 30 Vdc
25 mA @ 120 Vac	

#### Coil Voltage Input:

10-30 Vac/dc ; 120 Vac ; 50-60 Hz  
Drop Out = 2.1 Vac / 2.8 Vdc  
Pull In = 9 Vac / 10 Vdc

**# Relays & Contact Type:** Two (2) SPDT Continuous Duty Coil  
**Expected Relay Life:** 10 million cycles minimum mechanical  
**Operating Temperature:** -30 to 140° F  
**Operate Time:** 20mS  
**Relay Status:** LED On = Activated  
**Dimensions:** 2.450" x 4.000" x 1.750"  
**Track Mount:** 4.000", See MT4 Series on page 128  
MT4 Mounting Track Sold Separately  
**Approvals:** UL Listed, UL916, UL864, C-UL Canada  
California State Fire Marshal, CE Approved  
**Gold Flash:** Yes  
**Override Switch:** No



## Notes: