

RIBMNH1SM

2.75" Track Mount Relay 15 Amp SPST + Override + Monitor with 10-30 Vac/dc/208-277 Vac Coil



Functional Devices, Inc. A600C 2005



Contact Ratings:

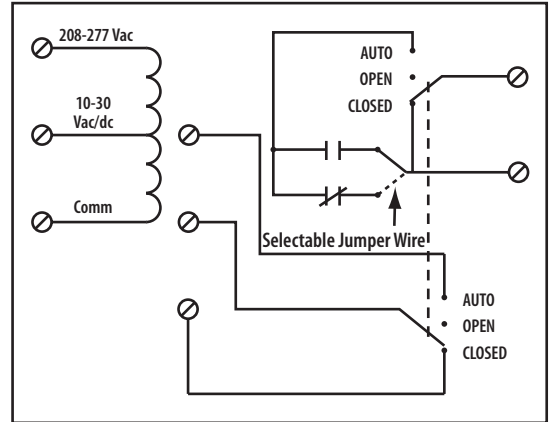
15 Amp Resistive @ 150 Vac
 10 Amp Resistive @ 277 Vac
 480 VA Pilot Duty @ 277 Vac
 480 VA Ballast @ 277 Vac
 600 Watt Tungsten @ 120 Vac N/O
 240 Watt Tungsten @ 120 Vac N/C
 1/3 HP for N/O @ 120-240 Vac
 1/6 HP for N/C @ 120-240 Vac
 1/4 HP for N/O @ 277 Vac
 1/8 HP for N/C @ 277 Vac

Coil Current:

30 mA @ 10 Vac 12 mA @ 10 Vdc
 32 mA @ 12 Vac 14 mA @ 12 Vdc
 42 mA @ 24 Vac 16 mA @ 24 Vdc
 50 mA @ 30 Vac 18 mA @ 30 Vdc
 35 mA @ 208-277 Vac

Coil Voltage Input:

10-30 Vac/dc ; 208-277 Vac ; 50-60 Hz
 Drop Out = 2.1 Vac / 2.8 Vdc
 Pull In = 9 Vac / 10 Vdc



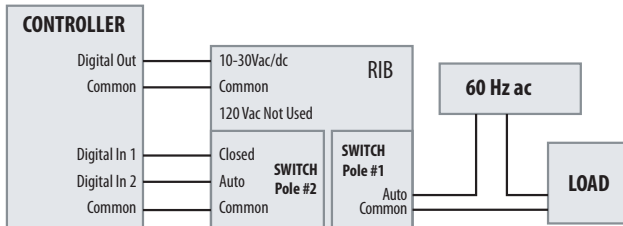
Relays & Contact Type: One (1) SPST Continuous Duty Coil
Expected Relay Life: 10 million cycles minimum mechanical
Operating Temperature: -30 to 140° F
Operate Time: 20mS
Relay Status: LED On = Activated
Dimensions: 3.400" x 2.750" x 1.750"
Track Mount: 2.750", See MT212 Series on page 127
 MT212 Mounting Track Sold Separately
Approvals: UL Listed, UL916, UL864, C-UL Canada
 California State Fire Marshal, CE Approved
Gold Flash: Yes
Override Switch: Yes (with Monitor)

Notes: » Normally Open or Normally Closed selected by yellow jumper wire
 » Second pole of override switch can be connected to digital-in of controller to report position of override switch
 » Rating of second pole is 50 Vac/dc, 0.25 Amp max

Notes:

MONITORING SWITCH POSITION WITH A CONTROLLER

Digital In 1 and 2 of the controller can be used to monitor the position of the HOA switch. The controller can be programmed to log the status of the HOA and provide a warning if the switch is in an override position.



ENCLOSED RELAYS

10 AMP

RIBU1SM
 RIBH1SM

TRACK RELAYS

15 AMP

RIBMU1SM
 RIBMH1SM
 RIBMNU1SM
 RIBMNH1SM

DI1	DI2	RESULT
Open	Open	Overridden Off
Open	Closed	Auto
Closed	Open	Overridden On
Closed	Closed	Error Condition