

RIBMNH1S

2.75" Track Mount Relay 15 Amp SPST + Override with 10-30 Vac/dc/208-277 Vac Coil



Functional Devices, Inc. A600C 2005



Contact Ratings:

15 Amp Resistive @ 150 Vac
10 Amp Resistive @ 277 Vac
480 VA Pilot Duty @ 277 Vac
480 VA Ballast @ 277 Vac
600 Watt Tungsten @ 120 Vac N/O
240 Watt Tungsten @ 120 Vac N/C
1/3 HP for N/O @ 120-240 Vac
1/6 HP for N/C @ 120-240 Vac
1/4 HP for N/O @ 277 Vac
1/8 HP for N/C @ 277 Vac

Coil Current:

| | |
|---------------------|----------------|
| 30 mA @ 10 Vac | 12 mA @ 10 Vdc |
| 32 mA @ 12 Vac | 14 mA @ 12 Vdc |
| 42 mA @ 24 Vac | 16 mA @ 24 Vdc |
| 50 mA @ 30 Vac | 18 mA @ 30 Vdc |
| 35 mA @ 208-277 Vac | |

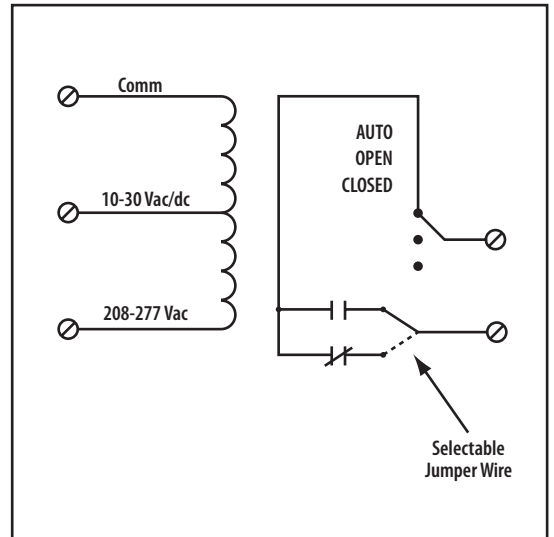
Coil Voltage Input:

10-30 Vac/dc ; 208-277 Vac ; 50-60 Hz
Drop Out = 2.1 Vac / 2.8 Vdc
Pull In = 9 Vac / 10 Vdc

Notes:

» Normally Open or Normally Closed selected by yellow jumper wire

Relays & Contact Type: One (1) SPST Continuous Duty Coil
Expected Relay Life: 10 million cycles minimum mechanical
Operating Temperature: -30 to 140° F
Operate Time: 20ms
Relay Status: LED On = Activated
Dimensions: 2.500" x 2.750" x 1.750"
Track Mount: 2.750", See MT212 Series on page 127
MT212 Mounting Track Sold Separately
Approvals: UL Listed, UL916, UL864, C-UL Canada
California State Fire Marshal, CE Approved
Gold Flash: Yes
Override Switch: Yes



Notes: