

RIBMNH1C

2.75" Track Mount Relay 15 Amp SPDT with 10-30 Vac/dc/208-277 Vac Coil



Functional Devices, Inc. A600C 2005



Contact Ratings:

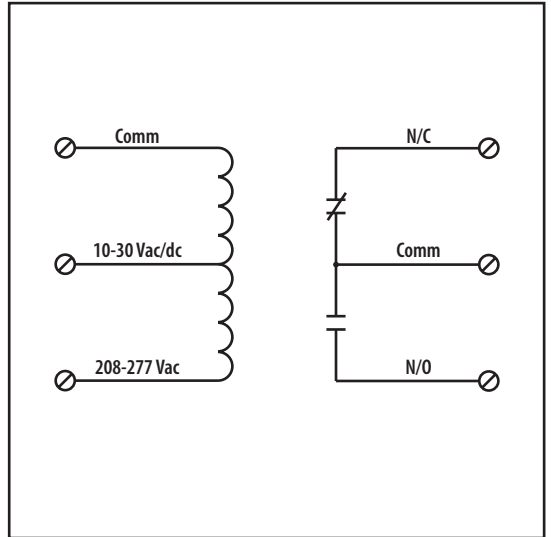
15 Amp Resistive @ 150 Vac, 28Vdc
15 Amp Inductive @ 150 Vac
10 Amp Resistive @ 120-277 Vac, 28 Vdc
480 VA Pilot Duty @ 240-277 Vac
480 VA Ballast @ 277 Vac
600 Watt Tungsten @ 120 Vac N/O
240 Watt Tungsten @ 120 Vac N/C
1/3 HP for N/O @ 120-240 Vac
1/6 HP for N/C @ 120-240 Vac
1/4 HP for N/O @ 277 Vac
1/8 HP for N/C @ 277 Vac

Coil Current:

30 mA @ 10 Vac	12 mA @ 10 Vdc
32 mA @ 12 Vac	14 mA @ 12 Vdc
42 mA @ 24 Vac	16 mA @ 24 Vdc
50 mA @ 30 Vac	18 mA @ 30 Vdc
35 mA @ 208-277 Vac	

Coil Voltage Input:

10-30 Vac/dc ; 208-277 Vac ; 50-60 Hz
Drop Out = 2.1 Vac / 2.8 Vdc
Pull In = 9 Vac / 10 Vdc



Relays & Contact Type: One (1) SPDT Continuous Duty Coil
Expected Relay Life: 10 million cycles minimum mechanical
Operating Temperature: -30 to 140° F
Operate Time: 20mS
Relay Status: LED On = Activated
Dimensions: 1.700" x 2.750" x 1.750"
Track Mount: 2.750", See MT212 Series on page 127
MT212 Mounting Track Sold Separately
Approvals: UL Listed, UL916, UL864, C-UL Canada
California State Fire Marshal, CE Approved
Gold Flash: Yes
Override Switch: No

Notes: