

RIBMN24PL

2.75" Track Mount Relay 20 Amp DPST-N/O with 24 Vac/dc Coil



Functional Devices, Inc. A600C 2005



Contact Ratings:

20 Amp Resistive @ 300 Vac
20 Amp Resistive @ 28 Vdc, 15 Vdc
20 Amp Ballast @ 277-480 Vac
15 Amp Resistive @ 600 Vac
770 VA Pilot Duty @ 120 Vac
1158 VA Pilot Duty @ 240 Vac
1110 VA Pilot Duty @ 277 Vac
1640 VA Pilot Duty @ 480 Vac
3 HP @ 480-600 Vac
2 HP @ 240-277 Vac
1 HP @ 120 Vac

Coil Current:

100 mA @ 20 Vac 50 mA @ 20 Vdc
125 mA @ 24 Vac 50 mA @ 24 Vdc
70 mA @ 30 Vdc

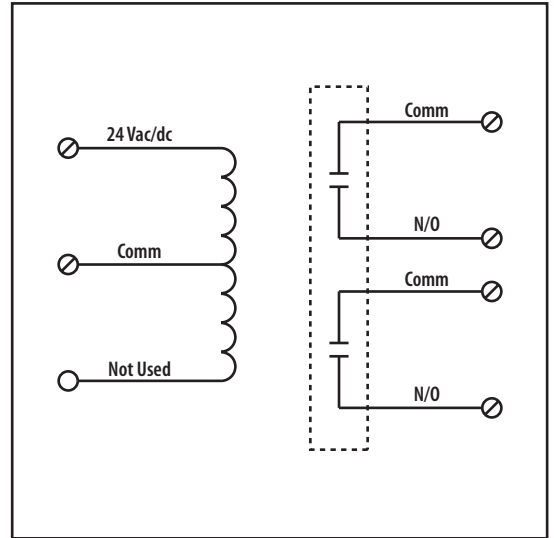
Coil Voltage Input:

24 Vac/dc; 50-60 Hz
Drop Out = 3 Vac / 3.8 Vdc
Pull In = 20 Vac / 20 Vdc

Notes:

» Order Normally Closed by adding "-NC" to end of model number

Relays & Contact Type: One (1) DPST Continuous Duty Coil
Expected Relay Life: 10 million cycles minimum mechanical
Operating Temperature: -30 to 140° F
Operate Time: 18mS
Relay Status: LED On = Activated
Dimensions: 2.350" x 2.750" x 2.750"
Track Mount: 2.750", See MT212 Series on page 127
MT212 Mounting Track Sold Separately
Approvals: UL Listed, UL916, UL864, C-UL Canada
California State Fire Marshal, CE Approved
Gold Flash: Yes
Override Switch: No



Notes: