

## RIBMN24C-FA

### 2.75" Track Mount Relay 15 Amp SPDT, Polarized with 24 Vac/dc Coil



Functional Devices, Inc. A600C 2005



#### Contact Ratings:

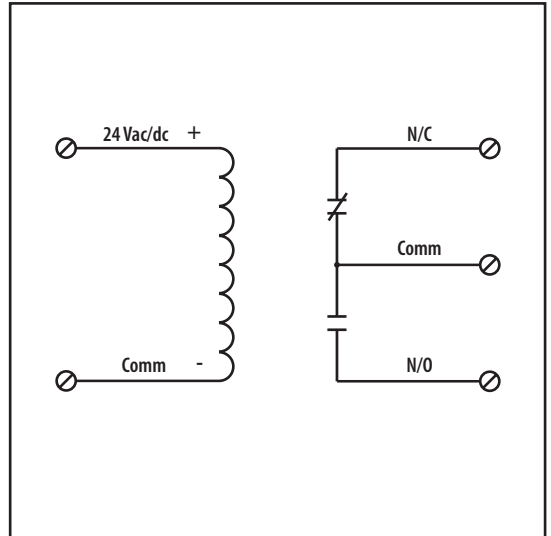
15 Amp General Use @ 125 Vac  
10 Amp General Use @ 125/250 Vac  
10 Amp Resistive @ 120-277 Vac  
1/2 HP @ 125-250 Vac  
470 VA Pilot Duty @ 120-240 Vac

#### Coil Current:

24 mA @ 20 Vac  
28 mA @ 24 Vac  
44 mA @ 35 Vac  
13 mA @ 20 Vdc  
16 mA @ 24 Vdc  
25 mA @ 35 Vdc

#### Coil Voltage Input:

24 Vac/dc ; 50-60 Hz  
Drop Out = 3 Vac / 3.8 Vdc  
Pull In = 20 Vac / 20 Vdc

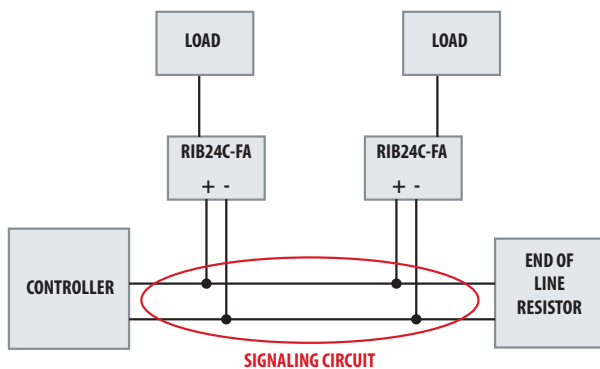


**# Relays & Contact Type:** One (1) SPDT Continuous Duty Coil  
**Expected Relay Life:** 10 million cycles minimum mechanical  
**Operating Temperature:** -30 to 140° F  
**Operate Time:** 6mS  
**Relay Status:** LED On = Activated  
**Dimensions:** 1.100" x 2.750" x 1.750"  
**Track Mount:** 2.750", See MT212 Series on page 127  
MT212 Mounting Track Sold Separately  
**Approvals:** UL Listed, UL916, UL864, C-UL Canada  
California State Fire Marshal, CE Approved  
**Gold Flash:** No  
**Override Switch:** No

## Notes:

### POLARIZED RELAYS

For fire alarm systems, smoke control systems, etc. Relays are polarized to work in a supervised system and may be turned on and off by reversing polarity.



#### ENCLOSED RELAYS

RIB12C-FA  
RIB24C-FA  
RIB24S-FA  
RIBT24B-FA  
RIB24P-FA

#### TRACK RELAYS

RIBMN12C-FA  
RIBMN24C-FA  
RIBMN12S-FA  
RIBMN24S-FA