

## RIBMN12S-FA

### 2.75" Track Mount Relay 15 Amp SPST + Override, Polarized with 12 Vac/dc Coil



Functional Devices, Inc. A600C 2005

#### Contact Ratings:

15 Amp General Use @ 125 Vac  
 12 Amp General Use @ 277 Vac  
 10 Amp Resistive @ 30 Vdc N/O  
 7 Amp Resistive @ 30 Vdc N/C  
 1/2 HP @ 125 Vac  
 1 HP @ 250 Vac  
 1/4 HP @ 277 Vac  
 C300 Pilot Duty

#### Coil Current:

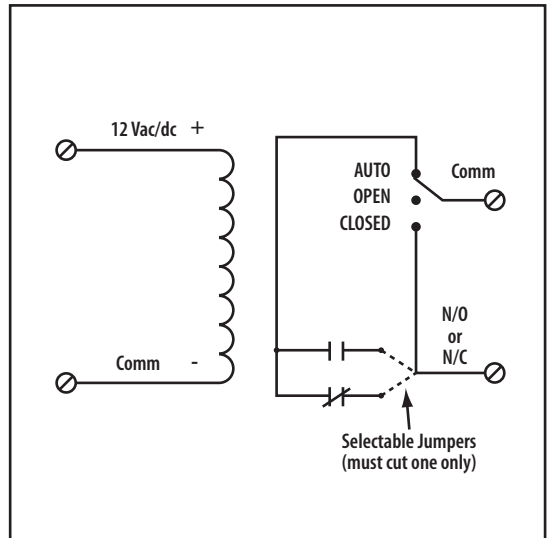
48 mA @ 10 Vac  
 56 mA @ 12 Vac  
 26 mA @ 11 Vdc  
 32 mA @ 12 Vdc

#### Coil Voltage Input:

12 Vac/dc; 50-60 Hz  
 Drop Out = 2 Vac / 2.5 Vdc  
 Pull In = 9 Vac / 11 Vdc

#### Notes:

» Must cut appropriate jumper to select Normally Open or Normally Closed

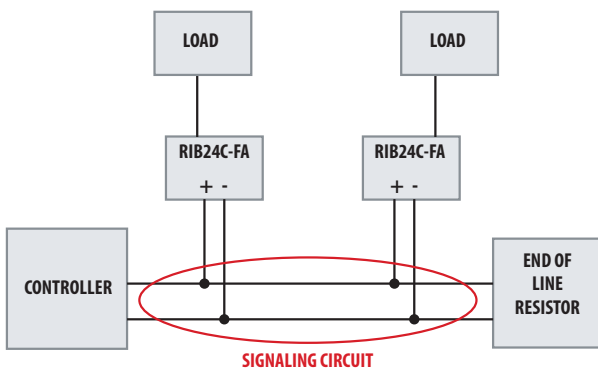


# Relays & Contact Type: One (1) SPST Continuous Duty Coil  
 Expected Relay Life: 10 million cycles minimum mechanical  
 Operating Temperature: -30 to 140° F  
 Operate Time: 6mS  
 Relay Status: LED On = Activated  
 Dimensions: 1.100" x 2.750" x 1.750"  
 Track Mount: 2.750", See MT212 Series on page 127  
 MT212 Mounting Track Sold Separately  
 Approvals: UL Listed, UL916, UL864, C-UL Canada  
 California State Fire Marshal, CE Approved  
 Gold Flash: No  
 Override Switch: Yes

## Notes:

### POLARIZED RELAYS

For fire alarm systems, smoke control systems, etc. Relays are polarized to work in a supervised system and may be turned on and off by reversing polarity.



#### ENCLOSED RELAYS

RIB12C-FA  
 RIB24C-FA  
 RIB24S-FA  
 RIBT24B-FA  
 RIB24P-FA

#### TRACK RELAYS

RIBMN12C-FA  
 RIBMN24C-FA  
 RIBMN12S-FA  
 RIBMN24S-FA