

## RIBME2401P

### 4.00" Track Mount Relay 20 Amp DPST, 24 Vac/dc/120 Vac Power + 5-25 Vac/dc Control Input



Functional Devices, Inc. A600C 2005



#### Contact Ratings:

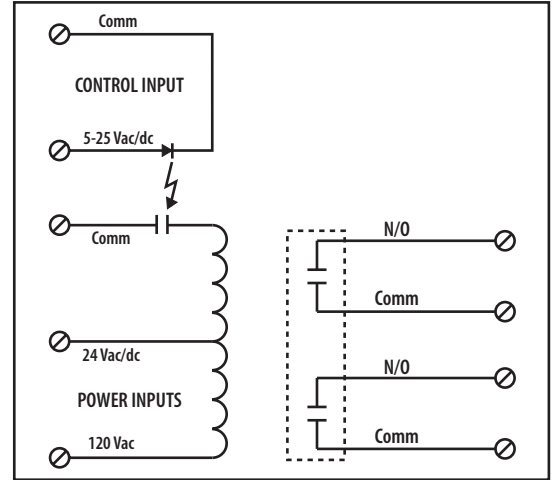
20 Amp Resistive @ 277 Vac  
1110 VA Pilot Duty @ 277 Vac  
770 VA Pilot Duty @ 120 Vac  
20 Amp Ballast @ 277 Vac N/O  
10 Amp Ballast @ 277 Vac N/C  
10 Amp Tungsten @ 120 Vac N/O  
240 Watt Tungsten @ 120 Vac N/C  
2 HP @ 277 Vac  
1 HP @ 120 Vac

#### Power Input Ratings:

45 mA @ 18 Vac    30 mA @ 22 Vdc  
75 mA @ 24 Vac    32 mA @ 24 Vdc  
42 mA @ 120 Vac    42 mA @ 30 Vdc

#### Control Input Ratings:

.4 mA @ 5 Vdc  
.9 mA @ 10 Vdc  
1 mA @ 12 Vdc  
2 mA @ 24 Vdc  
3 mA @ 24 Vac  
(Non Polarized)

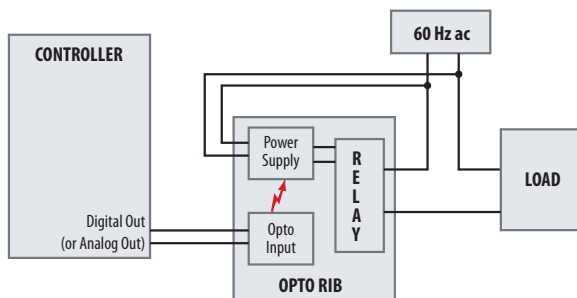


**Power Input:** 24 Vac/dc/120 Vac, 50-60 Hz  
**Control Input:** 5-25 Vac/dc, 50-60 Hz  
**# Relays & Contact Type:** One (1) DPST Continuous Duty Coil  
**Expected Relay Life:** 10 million cycles minimum mechanical  
**Operating Temperature:** -30 to 140° F  
**Operate Time:** 18mS  
**Relay Status:** LED On = Activated  
**Dimensions:** 2.550" x 4.000" x 2.750"  
**Track Mount:** 4.000"; See MT4 Series on page 128  
MT4 Mounting Track Sold Separately  
**Approvals:** UL Listed, UL916, UL864, C-UL Canada  
California State Fire Marshal, CE Approved  
**Gold Flash:** Yes  
**Override Switch:** No

## Notes:

### HIGH VOLTAGE OPTOISOLATED RELAYS

Optoisolated relays help isolate noisy loads from the controller. Good for controlling power relays from analog outputs.



#### ENCLOSED RELAYS

RIBTE01B  
RIBTE02B  
RIBTE01SB  
RIBTE02SB  
RIBTE01P  
RIBTE02P

#### TRACK RELAYS

RIBME2401B  
RIBME2402B  
RIBME2401SB  
RIBME2402SB  
RIBME2401P  
RIBME2402P