

## RIBME2401B

### 4.00" Track Mount Relay 20 Amp SPDT, 24 Vac/dc/120 Vac Power + 5-25 Vac/dc Control Input



Functional Devices, Inc. A600C 2005

**Power Input:** 24 Vac/dc/120 Vac, 50-60 Hz  
**Control Input:** 5-25 Vac/dc, 50-60 Hz  
**# Relays & Contact Type:** One (1) SPDT Continuous Duty Coil  
**Expected Relay Life:** 10 million cycles minimum mechanical  
**Operating Temperature:** -30 to 140° F  
**Operate Time:** 18mS  
**Relay Status:** LED On = Activated  
**Dimensions:** 2.050" x 4.000" x 1.750"  
**Track Mount:** 4.000"; See MT4 Series on page 128  
 MT4 Mounting Track Sold Separately  
**Approvals:** UL Listed, UL916, UL864, C-UL Canada  
 California State Fire Marshal, CE Approved  
**Gold Flash:** No  
**Override Switch:** No

#### Contact Ratings:

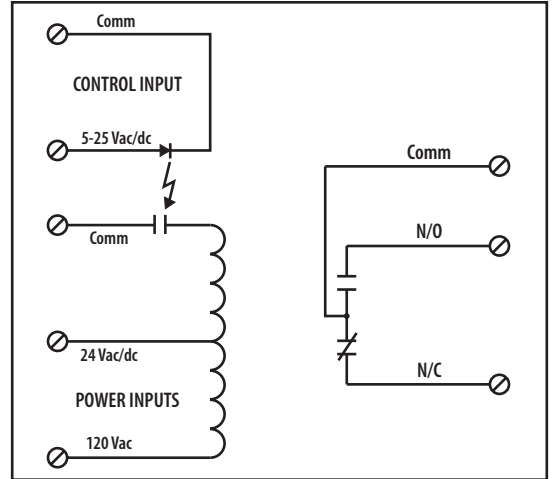
20 Amp Resistive @ 277 Vac  
 1110 VA Pilot Duty @ 277 Vac  
 770 VA Pilot Duty @ 120 Vac  
 20 Amp Ballast @ 277 Vac N/O  
 10 Amp Ballast @ 277 Vac N/C  
 10 Amp Tungsten @ 120 Vac N/O  
 240 Watt Tungsten @ 120 Vac N/C  
 2 HP @ 277 Vac  
 1 HP @ 120 Vac

#### Power Input Ratings:

45 mA @ 18 Vac    30 mA @ 22 Vdc  
 75 mA @ 24 Vac    32 mA @ 24 Vdc  
 42 mA @ 120 Vac    42 mA @ 30 Vdc

#### Control Input Ratings:

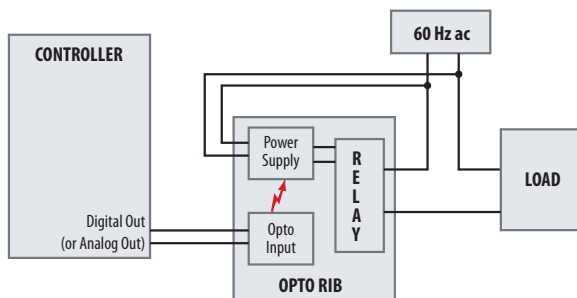
.4 mA @ 5 Vdc  
 .9 mA @ 10 Vdc  
 1 mA @ 12 Vdc  
 2 mA @ 24 Vdc  
 3 mA @ 24 Vac  
 (Non Polarized)



## Notes:

### HIGH VOLTAGE OPTOISOLATED RELAYS

Optoisolated relays help isolate noisy loads from the controller. Good for controlling power relays from analog outputs.



#### ENCLOSED RELAYS

RIBTE01B  
 RIBTE02B  
 RIBTE01SB  
 RIBTE02SB  
 RIBTE01P  
 RIBTE02P

#### TRACK RELAYS

RIBME2401B  
 RIBME2402B  
 RIBME2401SB  
 RIBME2402SB  
 RIBME2401P  
 RIBME2402P