

## RIBM24ZN

### 4.00" Track Mount Relay 30 Amp DPDT with 24 Vac/dc Coil



Functional Devices, Inc. A600C 2005

**# Relays & Contact Type:** One (1) DPDT Continuous Duty Coil  
**Expected Relay Life:** 10 million cycles minimum mechanical  
**Operating Temperature:** -30 to 140° F  
**Operate Time:** 18mS  
**Relay Status:** LED On = Activated  
**Dimensions:** 1.600" x 4.000" x 1.750"  
**Track Mount:** 4.000"; See MT4 Series on page 128  
 MT4 Mounting Track Sold Separately  
**Approvals:** UL Component Recognized, UL916  
 C-UL Canada, California State Fire Marshal  
 CE Approved  
**Gold Flash:** Yes  
**Override Switch:** No

#### Contact Ratings:

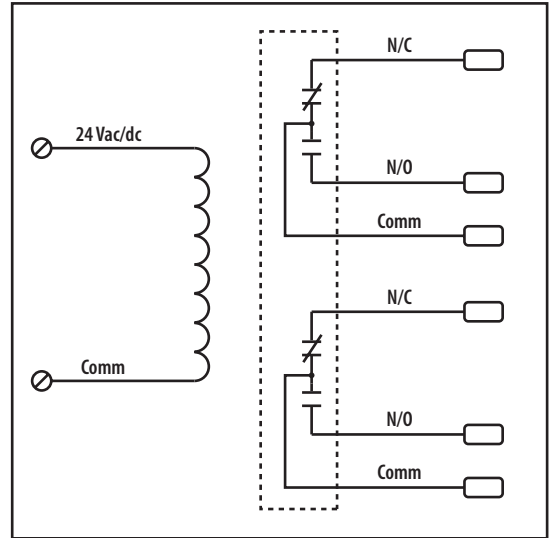
30 Amp Resistive @ 300 Vac  
 25 Amp Resistive @ 28 Vdc  
 20 Amp Ballast @ 277-480 Vac  
 15 Amp Resistive @ 600 Vac  
 3 HP @ 480-600 Vac  
 1.5 HP @ 240 Vac  
 1 HP @ 120 Vac  
 NEMA B600 Pilot Duty

#### Coil Current:

100 mA @ 20 Vac  
 125 mA @ 24 Vac  
 50 mA @ 20 Vdc  
 50 mA @ 24 Vdc  
 70 mA @ 30 Vdc

#### Coil Voltage Input:

24 Vac/dc ; 50-60 Hz  
 Drop Out = 3 Vac / 3.8 Vdc  
 Pull In = 20 Vac / 20 Vdc



## Notes: