

## RIBM24PL

### 4.00" Track Mount Relay 20 Amp DPST-N/O with 24 Vac/dc Coil



Functional Devices, Inc. A600C 2005



#### Contact Ratings:

20 Amp Resistive @ 300 Vac  
20 Amp Resistive @ 28 Vdc, 15 Vdc  
20 Amp Ballast @ 277-480 Vac  
15 Amp Resistive @ 600 Vac  
770 VA Pilot Duty @ 120 Vac  
1158 VA Pilot Duty @ 240 Vac  
1110 VA Pilot Duty @ 277 Vac  
1640 VA Pilot Duty @ 480 Vac  
3 HP @ 480-600 Vac  
2 HP @ 240-277 Vac  
1 HP @ 120 Vac

#### Coil Current:

100 mA @ 20 Vac 50 mA @ 20 Vdc  
125 mA @ 24 Vac 50 mA @ 24 Vdc  
70 mA @ 30 Vdc

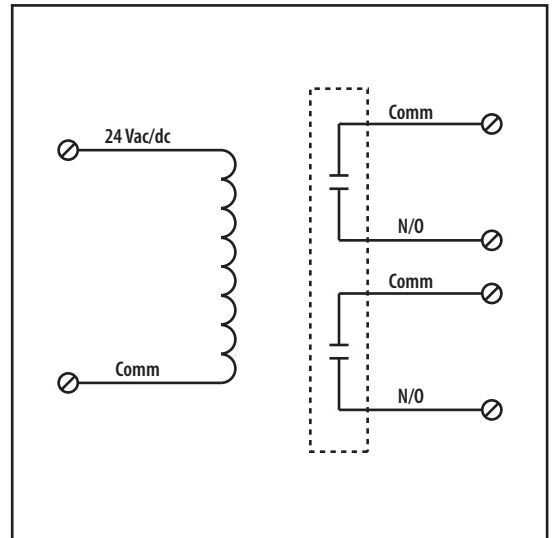
#### Coil Voltage Input:

24 Vac/dc; 50-60 Hz  
Drop Out = 3 Vac / 3.8 Vdc  
Pull In = 20 Vac / 20 Vdc

#### Notes:

» Order Normally Closed by adding "-NC" to end of model number

**# Relays & Contact Type:** One (1) DPST Continuous Duty Coil  
**Expected Relay Life:** 10 million cycles minimum mechanical  
**Operating Temperature:** -30 to 140° F  
**Operate Time:** 18mS  
**Relay Status:** LED On = Activated  
**Dimensions:** 2.350" x 4.000" x 2.750"  
**Track Mount:** 4.000", See MT4 Series on page 128  
MT4 Mounting Track Sold Separately  
**Approvals:** UL Listed, UL916, UL864, C-UL Canada  
California State Fire Marshal, CE Approved  
**Gold Flash:** Yes  
**Override Switch:** No



## Notes: