

RIBM243PN

4.00" Track Mount Relay 30 Amp TPDT with 24 Vac/dc Coil



Functional Devices, Inc. A600C 2005



Contact Ratings:

30 Amp General Use @ 300 Vac
30 Amp Resistive @ 28 Vdc
20 Amp Ballast @ 277-480 Vac
15 Amp Resistive @ 600 Vac
7.5 HP @ 480 Vac, 3 Phase
5 HP @ 240 Vac, 3 Phase
3 HP @ 480-600 Vac, 1 Phase
2 HP @ 240-277 Vac, 1 Phase
1 HP @ 120 Vac, 1 Phase
Heavy Pilot Duty
770 VA @ 120 Vac, 1 Phase
1158 VA @ 240 Vac, 1 Phase
1110 VA @ 277 Vac, 1 Phase
1640 VA @ 480 Vac, 1 Phase
1466 VA @ 240 Vac, 3 Phase
2122 VA @ 480 Vac, 3 Phase

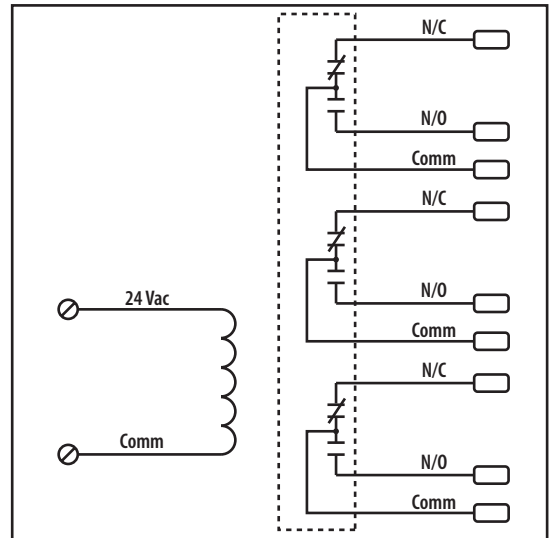
Coil Current:

190 mA @ 24 Vac
140 mA @ 30 Vdc

Coil Voltage Input:

24 Vac/dc ; 50-60 Hz
Drop Out = 3 Vac / 3.8 Vdc
Pull In = 20 Vac / 20 Vdc

Relays & Contact Type: One (1) TPDT Continuous Duty Coil
Expected Relay Life: 10 million cycles minimum mechanical
Operating Temperature: -30 to 140° F
Operate Time: 20mS
Relay Status: LED On = Activated
Dimensions: 2.450" x 4.000" x 1.750"
Track Mount: 4.000"; See MT4 Series on page 128
MT4 Mounting Track Sold Separately
Approvals: UL Component Recognized, UL916, UL864
C-UL Canada, California State Fire Marshal
CE Approved
Gold Flash: No
Override Switch: No



Notes: