

## RIBM2401B

### 4.00" Track Mount Relay 20 Amp SPDT with 24 Vac/dc/120 Vac Coil



Functional Devices, Inc. A600C 2005



**# Relays & Contact Type:** One (1) SPDT Continuous Duty Coil  
**Expected Relay Life:** 10 million cycles minimum mechanical  
**Operating Temperature:** -30 to 140° F  
**Operate Time:** 18mS  
**Relay Status:** LED On = Activated  
**Dimensions:** 1.250" x 4.000" x 1.750"  
**Track Mount:** 4.000"; See MT4 Series on page 128  
 MT4 Mounting Track Sold Separately  
**Approvals:** UL Listed, UL916, UL864, C-UL Canada  
 California State Fire Marshal, CE Approved  
**Gold Flash:** No  
**Override Switch:** No

#### Contact Ratings:

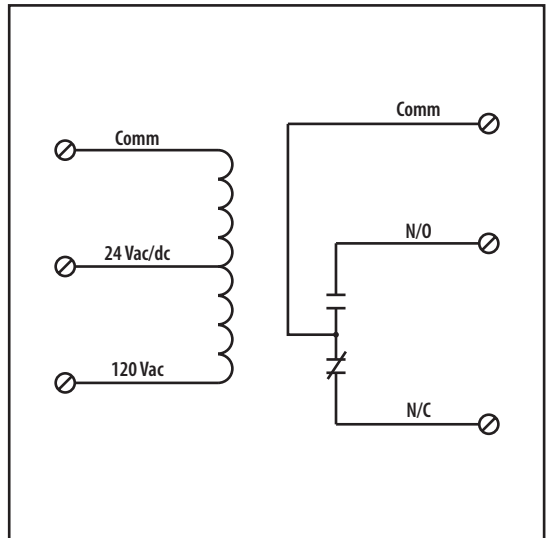
20 Amp Resistive @ 277 Vac  
 20 Amp Ballast N/O @ 120/277 Vac  
 10 Amp Ballast N/C @ 120/277 Vac  
 10 Amp Tungsten N/O @ 120 Vac  
 1110 VA Pilot Duty @ 277 Vac  
 770 VA Pilot Duty @ 120 Vac  
 2 HP @ 277 Vac  
 1 HP @ 120 Vac

#### Coil Current:

45 mA @ 18 Vac  
 75 mA @ 24 Vac  
 42 mA @ 120 Vac  
 30 mA @ 22 Vdc  
 32 mA @ 24 Vdc  
 42 mA @ 30 Vdc

#### Coil Voltage Input:

24 Vac/dc; 120 Vac; 50-60 Hz  
 Drop Out = 2.1 Vac / 3.8 Vdc  
 Pull In = 18 Vac / 22 Vdc



## Notes: