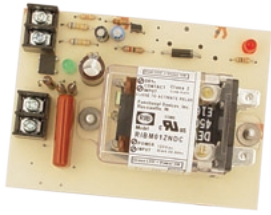


RIBM01ZNC

4.00" Track Mount Relay 30 Amp DPDT, Class 2 Dry Contact Input, 120 Vac Power



Functional Devices, Inc. A600C 2005



Contact Ratings:

30 Amp Resistive @ 300 Vac
25 Amp Resistive @ 28 Vdc
15 Amp Resistive @ 600 Vac
3 HP @ 480-600 Vac
2 HP @ 240/277 Vac
1 HP @ 120 Vac
20 Amp Ballast @ 277-480 Vac
770 VA @ 120 Vac
1158 VA @ 240 Vac
1109 VA @ 277 Vac
1640 VA @ 480 Vac
NEMA B600 Pilot Duty

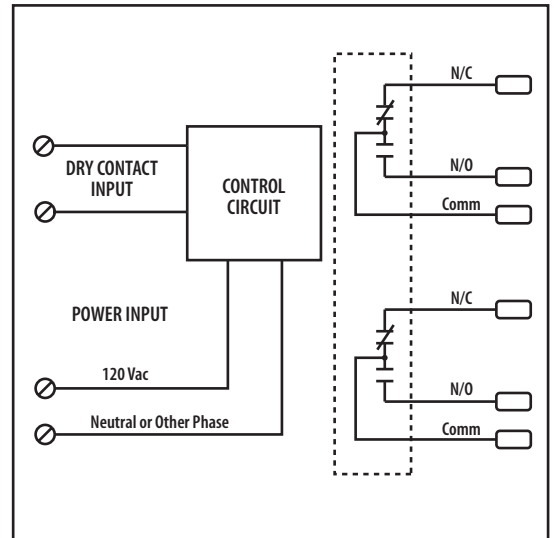
Power Input:

95 mA @ 120 Vac

Notes:

» Dry Contact Input Operation:
Close Dry Contact Input to activate relay.

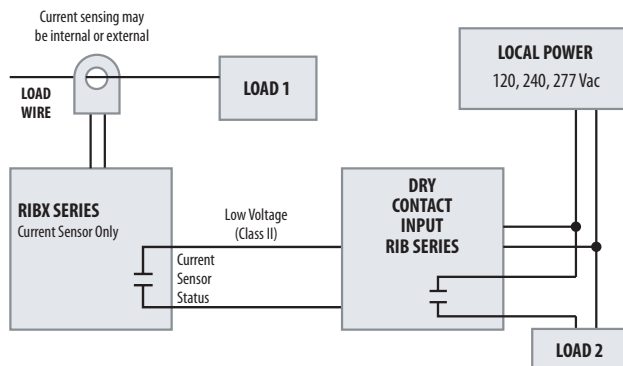
Relays & Contact Type: One (1) DPDT Continuous Duty Coil
Expected Relay Life: 10 million cycles minimum mechanical
Operating Temperature: -30 to 140° F
Relay Status: Red LED On = Activated
Power Status: Green LED On = Activated
Dimensions: 2.875" x 4.000" x 1.750"
Approvals: UL Component Recognized, UL916
C-UL Canada, CE Approved
Gold Flash: Yes
Override Switch: No



Notes:

INTERLOCKING LOADS (NO TRANSFORMER)

Self-powered Current Sensors of the RIBX Series and relays of the Dry Contact Input RIB Series may be applied to interlock Load 2 to Load 1.



For more Application Examples, please download the AM578B Manual at <http://www.functionaldevices.com/Downloads.html>

DRY CONTACT INPUT RELAYS

RIB21CDC
RIB01BDC
RIB01SBDC
RIB02BDC
RIB02SBDC
RIBM01ZNC
RIBM02ZNC
RIBM013PND

CURRENT SENSORS

RIBXKF RIBXRF
RIBXKTF RIBXRA
RIBXKA RIBXJF
RIBXKTA RIBXJA
RIBXGA RIBMXF
RIBXGF RIBMXA
RIBXGTA RIBMXV
RIBXGTF RIBMXRF
RIBXGFL RIBMXRA
RIBXGTFL RIBMXJF
RIBXF RIBMXJA
RIBXA
RIBXV