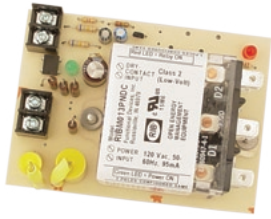


## RIBM013PND

### 4.00" Track Mount Relay 30 Amp TPDT, Class 2 Dry Contact Input, 120 Vac Power



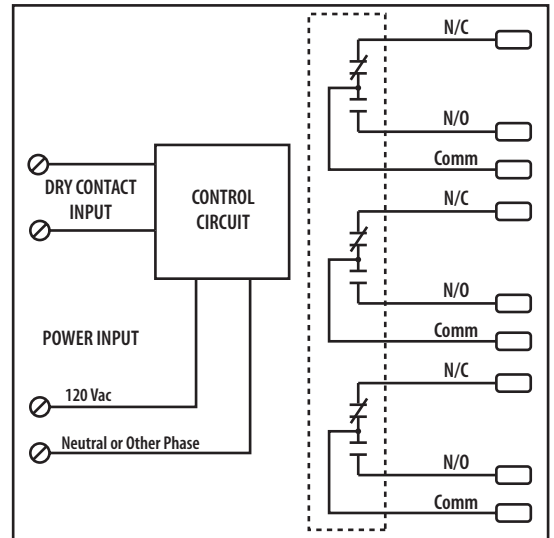
Functional Devices, Inc. A600C 2005

**# Relays & Contact Type:** One (1) TPDT Continuous Duty Coil  
**Expected Relay Life:** 10 million cycles minimum mechanical  
**Operating Temperature:** -30 to 140° F  
**Relay Status:** Red LED On = Activated  
**Power Status:** Green LED On = Activated  
**Dimensions:** 2.875" x 4.000" x 1.750"  
**Approvals:** UL Component Recognized, UL916  
 C-UL Canada, CE Approved  
**Gold Flash:** No  
**Override Switch:** No

**Contact Ratings:**  
 30 Amp Resistive @ 300 Vac  
 30 Amp Resistive @ 28 Vdc  
 15 Amp Resistive @ 600 Vac  
 7.5 HP @ 480 Vac, 3 Phase  
 5 HP @ 240 Vac, 3 Phase  
 3 HP @ 480-600 Vac, 1 Phase  
 2 HP @ 240/277 Vac, 1 Phase  
 1 HP @ 120 Vac, 1Phase  
 20 Amp Ballast @ 277-480 Vac  
**Heavy Pilot Duty**  
 770 VA @ 120 Vac, 1 Phase  
 1158 VA @ 240 Vac, 1 Phase  
 1109 VA @ 277 Vac, 1 Phase  
 1640 VA @ 480 Vac, 1 Phase  
 1466 VA @ 240 Vac, 3 Phase  
 2122 VA @ 480 Vac, 3 Phase

**Power Input:**  
 95 mA @ 120 Vac

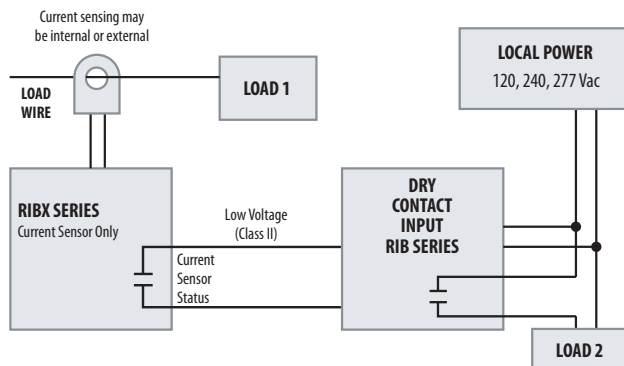
**Notes:**  
 » **Dry Contact Input Operation:**  
 Close Dry Contact Input to activate relay.



## Notes:

### INTERLOCKING LOADS (NO TRANSFORMER)

Self-powered Current Sensors of the RIBX Series and relays of the Dry Contact Input RIB Series may be applied to interlock Load 2 to Load 1.



For more Application Examples, please download the AM578B Manual at <http://www.functionaldevices.com/Downloads.html>

### DRY CONTACT INPUT RELAYS

RIB21CDC  
 RIB01BDC  
 RIB01SBDC  
 RIB02BDC  
 RIB02SBDC  
 RIBM01ZNDC  
 RIBM02ZNDC  
 RIBM013PND

### CURRENT SENSORS

RIBXKF RIBXRF  
 RIBXKTF RIBXRA  
 RIBXKA RIBXJF  
 RIBXKTA RIBXJA  
 RIBXGA RIBMXF  
 RIBXGF RIBMXA  
 RIBXGTA RIBMXV  
 RIBXGTF RIBMXRF  
 RIBXGFL RIBMXRA  
 RIBXGFTL RIBMXJF  
 RIBXF RIBMXJA  
 RIBXA  
 RIBXV