



Functional Devices, Inc.
 310 South Union Street
 Russiaville, IN 46979
 www.functionaldevices.com

Office: (765) 883-5538
 Sales: (800) 888-5538
 Fax: (765) 883-7505
 Email: sales@functionaldevices.com

Manufacturing quality products in the United States of America since 1969

RIBL4C

Enclosed Relays 10 Amp 3 SPST-N/O + 1 SPDT with 10-30 Vac/dc Coil



Functional Devices, Inc. A600C 2005



Contact Ratings:

10 Amp Resistive @ 120-277 Vac
 10 Amp Resistive @ 28 Vdc
 480 VA Pilot Duty @ 240-277 Vac
 480 VA Ballast @ 277 Vac
 600 Watt Tungsten @ 120 Vac N/O
 240 Watt Tungsten @ 120 Vac N/C
 1/3 HP for N/O @ 120-240 Vac
 1/6 HP for N/C @ 120-240 Vac
 1/4 HP for N/O @ 277 Vac
 1/8 HP for N/C @ 277 Vac

Coil Current:

30 mA @ 10 Vac	12 mA @ 10 Vdc
32 mA @ 12 Vac	14 mA @ 12 Vdc
42 mA @ 24 Vac	16 mA @ 24 Vdc
50 mA @ 30 Vac	18 mA @ 30 Vdc

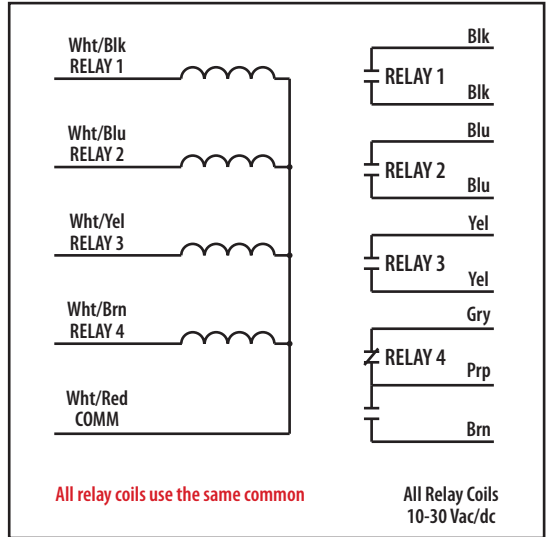
Coil Voltage Input:

10-30 Vac/dc ; 50-60 Hz
 Drop Out = 2.1 Vac / 2.8 Vdc
 Pull In = 9 Vac / 10 Vdc

Notes:

» Order Normally Closed by adding "-NC" to end of model number

- # Relays & Contact Type: Three (3) SPST + One (1) SPDT
Continuous Duty Coil
- Expected Relay Life: 10 million cycles minimum mechanical
- Operating Temperature: -30 to 140° F
- Operate Time: 20ms
- Relay Status: LED On = Activated
- Dimensions: 4.00" x 4.00" x 1.80" with .50" NPT nipple
- Wires: 16', 600V Rated
- Approvals: UL Listed, UL916, UL864, C-UL Canada
California State Fire Marshal, CE Approved
- Housing Rating: Plenum, NEMA 1
- Gold Flash: Yes
- Override Switch: No



Notes: