



Functional Devices, Inc.
 310 South Union Street
 Russiaville, IN 46979
 www.functionaldevices.com

Office: (765) 883-5538
 Sales: (800) 888-5538
 Fax: (765) 883-7505
 Email: sales@functionaldevices.com

Manufacturing quality products in the United States of America since 1969

RIBH1CW

Enclosed Relay Hi/Low Separation 15 Amp SPDT with 10-30 Vac/dc/208-277 Vac Coil



Functional Devices, Inc. A600C 2005



Contact Ratings:

15 Amp Resistive @ 150 Vac, 28Vdc
 15 Amp Inductive @ 150 Vac
 480 VA Pilot Duty @ 240-277 Vac
 480 VA Ballast @ 277 Vac
 600 Watt Tungsten @ 120 Vac N/O
 240 Watt Tungsten @ 120 Vac N/C
 1/3 HP for N/O @ 120-240 Vac
 1/6 HP for N/C @ 120-240 Vac
 1/4 HP for N/O @ 277 Vac
 1/8 HP for N/C @ 277 Vac

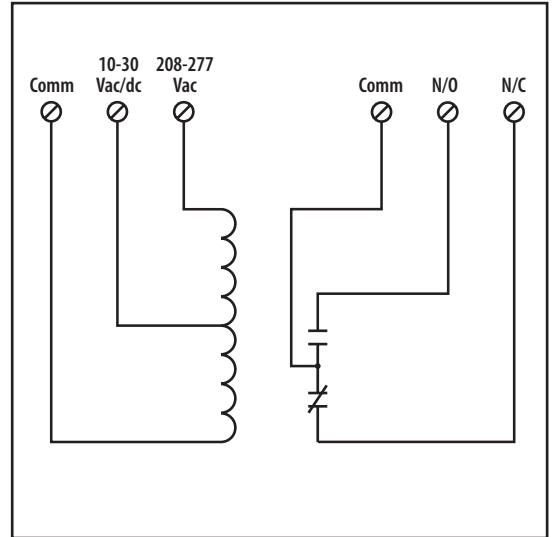
Coil Current:

30 mA @ 10 Vac 12 mA @ 10 Vdc
 32 mA @ 12 Vac 14 mA @ 12 Vdc
 42 mA @ 24 Vac 16 mA @ 24 Vdc
 50 mA @ 30 Vac 18 mA @ 30 Vdc
 35 mA @ 208-277 Vac

Coil Voltage Input:

10-30 Vac/dc ; 208-277 Vac ; 50-60 Hz
 Drop Out = 2.1 Vac / 2.8 Vdc
 Pull In = 9 Vac / 10 Vdc

Relays & Contact Type: One (1) SPDT Continuous Duty Coil
Expected Relay Life: 10 million cycles minimum mechanical
Operating Temperature: -30 to 140° F
Operate Time: 20mS
Relay Status: LED On = Activated
Dimensions: 4.00" x 4.00" x 1.80" with .50" NPT nipple
Approvals: UL Listed, UL916, UL864, C-UL Canada
 California State Fire Marshal, CE Approved
Housing Rating: Plenum, NEMA 1
Gold Flash: Yes
Override Switch: No



Notes: