

RIB24S-FA

Enclosed Relay 10 Amp SPST + Override, Polarized with 24 Vac/dc Coil



Functional Devices, Inc. A600C 2005



Contact Ratings:

10 Amp General Use @ 125/250 Vac
10 Amp Resistive @ 120-277 Vac
1/2 HP @ 125-250 Vac
470 VA Pilot Duty @ 120-240 Vac

Coil Current:

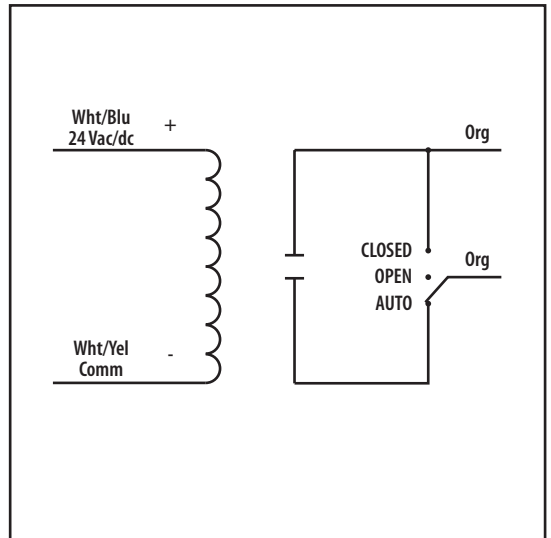
24 mA @ 20 Vac
28 mA @ 24 Vac
44 mA @ 35 Vac
13 mA @ 20 Vdc
16 mA @ 24 Vdc
25 mA @ 35 Vdc

Coil Voltage Input:

24 Vac/dc ; 50-60 Hz
Drop Out = 3 Vac / 3.8 Vdc
Pull In = 20 Vac / 20 Vdc



RIB24S-FA-RD
» Red housing

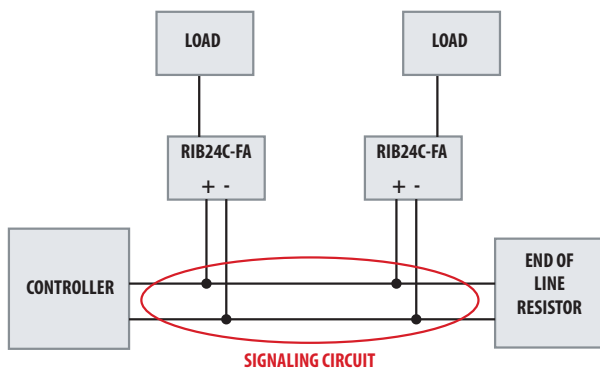


Relays & Contact Type: One (1) SPST Continuous Duty Coil
Expected Relay Life: 10 million cycles minimum mechanical
Operating Temperature: -30 to 140° F
Operate Time: 6mS
Relay Status: LED On = Activated
Dimensions: 1.70" x 2.80" x 1.50" with .50" NPT nipple
Wires: 16', 600V Rated
Approvals: UL Listed, UL916, UL864, C-UL Canada
California State Fire Marshal, CE Approved
Housing Rating: Plenum, NEMA 1
Gold Flash: No
Override Switch: Yes

Notes:

POLARIZED RELAYS

For fire alarm systems, smoke control systems, etc. Relays are polarized to work in a supervised system and may be turned on and off by reversing polarity.



ENCLOSED RELAYS

RIB12C-FA
RIB12C-FA-RD
RIB12C-FA-N4
RIB24C-FA
RIB24C-FA-RD
RIB24C-FA-N4
RIB24S-FA
RIB24S-FA-RD
RIBT24B-FA
RIB24P-FA

TRACK RELAYS

RIBMN12C-FA
RIBMN24C-FA
RIBMN12S-FA
RIBMN24S-FA