



Functional Devices, Inc.  
 310 South Union Street  
 Russiaville, IN 46979  
 www.functionaldevices.com

Office: (765) 883-5538  
 Sales: (800) 888-5538  
 Fax: (765) 883-7505  
 Email: sales@functionaldevices.com

Manufacturing quality products in the United States of America since 1969

## RIB24P

### Enclosed Relay 20 Amp DPDT with 24 Vac/dc Coil



Functional Devices, Inc. A600C 2005



#### Contact Ratings:

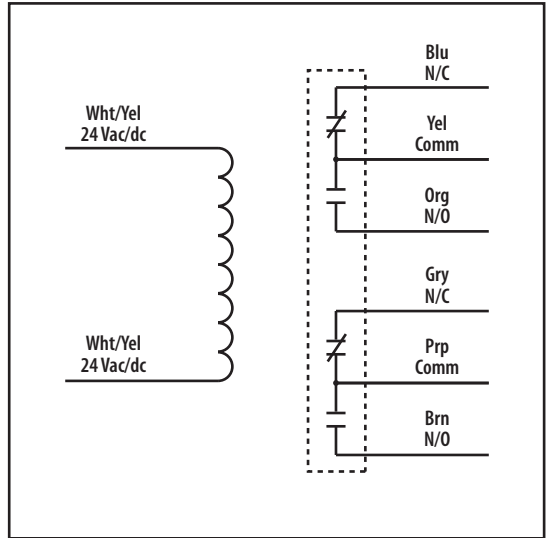
20 Amp Resistive @ 300 Vac  
 20 Amp Resistive @ 28 Vdc  
 20 Amp Ballast @ 277-480 Vac  
 15 Amp Resistive @ 600 Vac  
 770 VA Pilot Duty @ 120 Vac  
 1158 VA Pilot Duty @ 240 Vac  
 1110 VA Pilot Duty @ 277 Vac  
 1640 VA Pilot Duty @ 480 Vac  
 3 HP @ 480-600 Vac  
 2 HP @ 240-277 Vac  
 1 HP @ 120 Vac

#### Coil Current:

100 mA @ 20 Vac  
 125 mA @ 24 Vac  
 50 mA @ 20 Vdc  
 50 mA @ 24 Vdc  
 70 mA @ 30 Vdc

#### Coil Voltage Input:

24 Vac/dc ; 50-60 Hz  
 Drop Out = 3 Vac / 3.8 Vdc  
 Pull In = 20 Vac / 20 Vdc



**# Relays & Contact Type:** One (1) DPDT Continuous Duty Coil  
**Expected Relay Life:** 10 million cycles minimum mechanical  
**Operating Temperature:** -30 to 140° F  
**Operate Time:** 18mS  
**Relay Status:** LED On = Activated  
**Dimensions:** 2.30" x 3.20" x 1.80" with .50" NPT Nipple  
**Wires:** 16', 600V Rated  
**Approvals:** UL Listed, UL916, UL864, C-UL Canada  
 California State Fire Marshal, CE Approved  
**Housing Rating:** Plenum, NEMA 1  
**Gold Flash:** Yes  
**Override Switch:** No

## Notes: