

RIB2421C

Enclosed Relay 10 Amp SPDT with 24 Vac/dc/120 -277 Vac Coil



Functional Devices, Inc. A600C 2005



Contact Ratings:

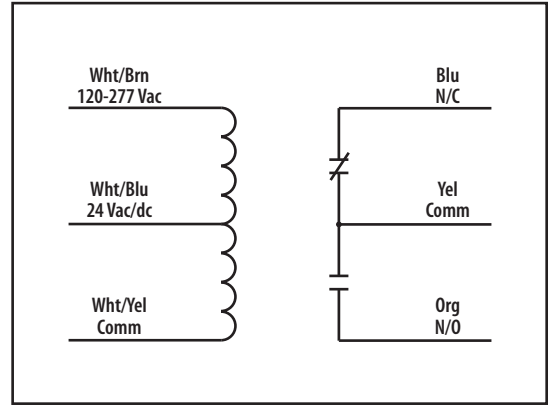
10 Amp General Use @ 277 Vac
10 Amp Resistive @ 30 Vdc N/O
7 Amp Resistive @ 30 Vdc N/C
1/2 HP @ 125 Vac
1 HP @ 250 Vac
1/4 HP @ 277 Vac
C300 Pilot Duty
120 Vac 15A Make 1.5A Break (180VA)
240 Vac 7.5A Make 0.75A Break (180VA)
208 Vac 8.6A Make 0.86A Break (180VA)
277 Vac 6.5A Make 0.65A Break (180VA)
24 Vac 15A Make 2.5A Break (60VA) 2.5A Max

Coil Current:

24 mA @ 20 Vac	13 mA @ 20 Vdc
28 mA @ 24 Vac	16 mA @ 24 Vdc
44 mA @ 35 Vac	25 mA @ 35 Vdc
20 mA @ 120 Vac	
49 mA @ 277 Vac	

Coil Voltage Input:

24 Vac/dc ; 120-277 Vac ; 50-60 Hz
Drop Out = 3 Vac / 3.8 Vdc
Pull In = 20 Vac / 20 Vdc



Relays & Contact Type: One (1) SPDT Continuous Duty Coil
Expected Relay Life: 10 million cycles minimum mechanical
Operating Temperature: -30 to 140° F
Operate Time: 20mS
Relay Status: LED On = Activated
Dimensions: 1.70" x 2.80" x 1.50" with .50" NPT nipple
Wires: 16', 600V Rated
Approvals: UL Listed, UL916, UL864, C-UL Canada
California State Fire Marshal, CE Approved
Housing Rating: Plenum, NEMA 1
Gold Flash: No
Override Switch: No



RIB2421C-RD
» Red housing



RIB2421C-N4
» NEMA 4X housing

Notes: