

RIB2401B

Enclosed Relay 20 Amp SPDT with 24 Vac/dc/120 Vac Coil



Functional Devices, Inc. A600C 2005



Contact Ratings:

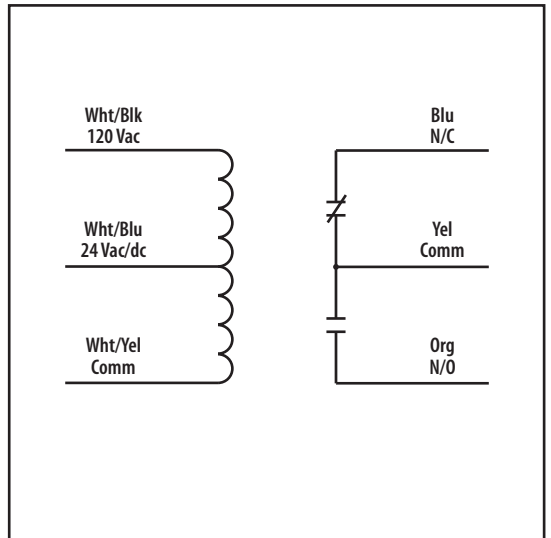
20 Amp Resistive @ 277 Vac
20 Amp Ballast N/O @ 120/277 Vac
10 Amp Ballast N/C @ 120/277 Vac
10 Amp Tungsten N/O @ 120 Vac
770 VA Pilot Duty @ 120 Vac
1,110 VA Pilot Duty @ 277 Vac
2 HP @ 277 Vac
1 HP @ 120 Vac

Coil Current:

45 mA @ 18 Vac
75 mA @ 24 Vac
42 mA @ 120 Vac
30 mA @ 22 Vdc
32 mA @ 24 Vdc
42 mA @ 30 Vdc

Coil Voltage Input:

24 Vac/dc ; 120 Vac ; 50-60 Hz
Drop Out = 2.1 Vac / 3.8 Vdc
Pull In = 18 Vac / 22 Vdc



Relays & Contact Type: One (1) SPDT Continuous Duty Coil
Expected Relay Life: 10 million cycles minimum mechanical
Operating Temperature: -30 to 140° F
Operate Time: 18mS
Relay Status: LED On = Activated
Dimensions: 2.30" x 3.20" x 1.80" with .50" NPT Nipple
Wires: 16', 600V Rated
Approvals: UL Listed, UL916, UL864, C-UL Canada
California State Fire Marshal, CE Approved
Housing Rating: Plenum, NEMA 1
Gold Flash: No
Override Switch: No

Notes: