

RIB043P

Enclosed Relay 20 Amp TPST-N/O with 480 Vac Coil



Functional Devices, Inc. A600C 2005



Contact Ratings:

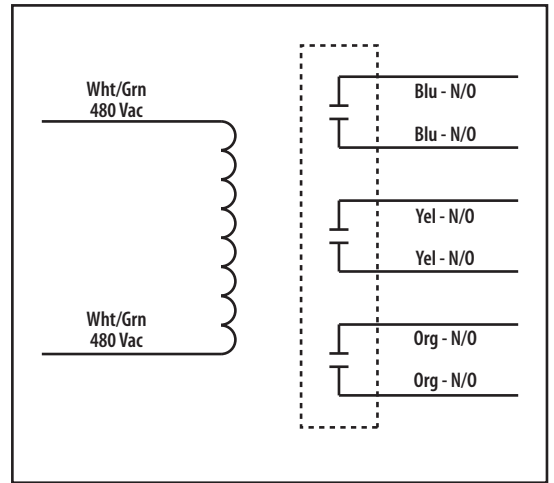
20 Amp Resistive @ 300 Vac, 28 Vdc
20 Amp Ballast @ 277-480 Vac
15 Amp Resistive @ 600 Vac
770 VA Pilot Duty @ 120 Vac, 1 Phase
1158 VA Pilot Duty @ 240 Vac, 1 Phase
1110 VA Pilot Duty @ 277 Vac, 1 Phase
1640 VA Pilot Duty @ 480 Vac, 1 Phase
1466 VA Pilot Duty @ 240 Vac, 3 Phase
2112 VA Pilot Duty @ 480 Vac, 3 Phase
Heavy Pilot Duty @ 600 Vac
7.5 HP @ 480 Vac, 3 Phase
5 HP @ 240 Vac, 3 Phase
3 HP @ 480-600 Vac, 1 Phase
2 HP @ 240-277 Vac, 1 Phase
1 HP @ 120 Vac, 1 Phase

Coil Current:

120 mA @ 480 Vac

Coil Voltage Input:

480 Vac/dc; 50-60 Hz
Drop Out = 140 Vac
Pull In = 340 Vac



Notes:

» Order Normally Closed by adding "-NC" to end of model number

Relays & Contact Type: One (1) TPST Continuous Duty Coil
Expected Relay Life: 10 million cycles minimum mechanical
Operating Temperature: -30 to 140° F
Operate Time: 20mS
Relay Status: LED On = Activated
Dimensions: 4.00" x 4.00" x 1.80" with .50" NPT Nipple
Wires: 16', 600V Rated
Approvals: UL Listed, UL916, UL864, C-UL Canada
California State Fire Marshal, CE Approved
Housing Rating: Plenum, NEMA 1
Gold Flash: No
Override Switch: No

Notes: