

RIB02SBDC

Enclosed Relay 20 Amp SPST + Override, Class 2 Dry Contact Input, 208-277 Vac Power



Functional Devices, Inc. A600C 2005



Contact Ratings:

20 Amp Resistive @ 277 Vac
1110 VA Pilot Duty @ 277 Vac
770 VA Pilot Duty @ 120 Vac
20 Amp Ballast @ 277 Vac N/O
10 Amp Ballast @ 277 Vac N/C
10 Amp Tungsten @ 120 Vac N/O
240 Watt Tungsten @ 120 Vac N/C
2 HP @ 277 Vac
1 HP @ 120 Vac

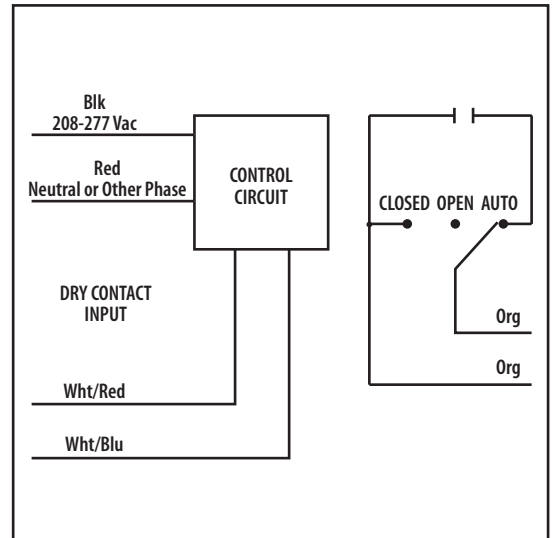
Power Input:

62 mA @ 208-277 Vac

Notes:

» Dry Contact Input Operation:
Close White/Blue to White/Red to activate relay. If more than one dry contact RIB is used in common, must connect White/Blue to common.

» Order Normally Closed by adding "-NC" to end of model number

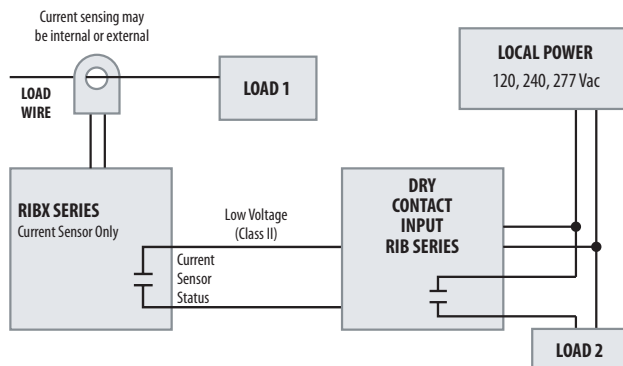


Relays & Contact Type: One (1) SPST Continuous Duty Coil
Expected Relay Life: 10 million cycles minimum mechanical
Operating Temperature: -30 to 140° F
Relay Status: LED On = Activated
Dimensions: 2.30" x 3.20" x 1.80" with .50" NPT Nipple
Wires: 16", 600V Rated
Approvals: UL Listed, UL916, C-UL Canada
CE Approved
Housing Rating: Plenum, NEMA 1
Gold Flash: No
Override Switch: Yes

Notes:

INTERLOCKING LOADS (NO TRANSFORMER)

Self-powered Current Sensors of the RIBX Series and relays of the Dry Contact Input RIB Series may be applied to interlock Load 2 to Load 1.



For more Application Examples, please download the AM578B Manual at <http://www.functionaldevices.com/Downloads.html>

DRY CONTACT INPUT RELAYS

RIB21CDC
RIB01BDC
RIB01SBDC
RIB02BDC
RIB02SBDC
RIBM01ZNDC
RIBM02ZNDC
RIBM013PNDC

CURRENT SENSORS

RIBXKF RIBXRF
RIBXKTF RIBXRA
RIBXKA RIBXJF
RIBXKTA RIBXJA
RIBXGA RIBMXF
RIBXGF RIBMXA
RIBXGTA RIBMXV
RIBXGTF RIBMXRF
RIBXGFL RIBMXRA
RIBXGTFL RIBMXJF
RIBXF RIBMXJA
RIBXA
RIBXV