

## RIB01SBDC

### Enclosed Relay 20 Amp SPST + Override, Class 2 Dry Contact Input, 120 Vac Power



Functional Devices, Inc. A600C 2005



#### Contact Ratings:

20 Amp Resistive @ 277 Vac  
1110 VA Pilot Duty @ 277 Vac  
770 VA Pilot Duty @ 120 Vac  
20 Amp Ballast @ 277 Vac N/O  
10 Amp Ballast @ 277 Vac N/C  
10 Amp Tungsten @ 120 Vac N/O  
240 Watt Tungsten @ 120 Vac N/C  
2 HP @ 277 Vac  
1 HP @ 120 Vac

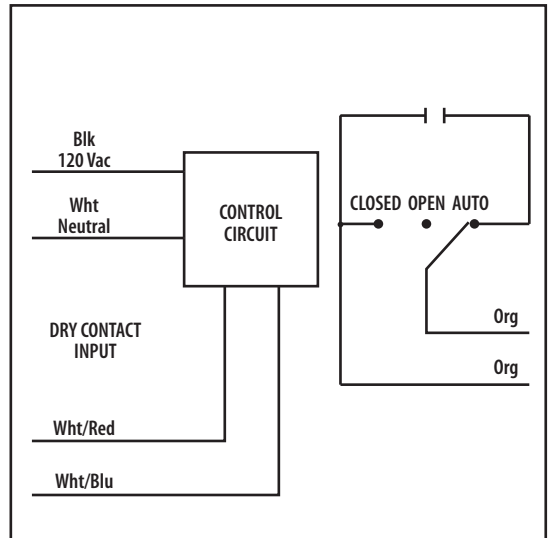
#### Power Input:

42 mA @ 120 Vac

#### Notes:

» **Dry Contact Input Operation:**  
Close White/Blue to White/Red to activate relay. If more than one dry contact RIB is used in common, must connect White/Blue to common.

» Order Normally Closed by adding "-NC" to end of model number

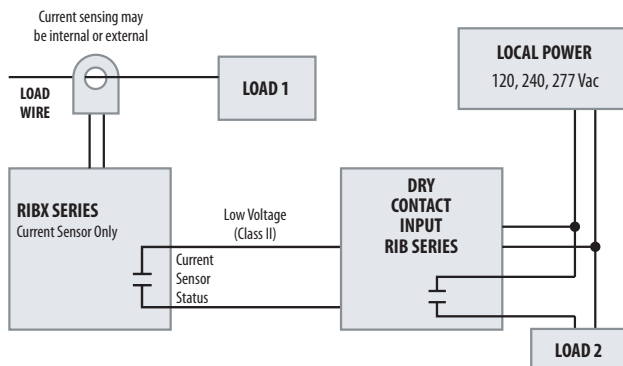


# Relays & Contact Type: One (1) SPST Continuous Duty Coil  
Expected Relay Life: 10 million cycles minimum mechanical  
Operating Temperature: -30 to 140° F  
Relay Status: LED On = Activated  
Dimensions: 2.30" x 3.20" x 1.80" with .50" NPT Nipple  
Wires: 16", 600V Rated  
Approvals: UL Listed, UL916, C-UL Canada  
CE Approved  
Housing Rating: Plenum, NEMA 1  
Gold Flash: No  
Override Switch: Yes

## Notes:

### INTERLOCKING LOADS (NO TRANSFORMER)

Self-powered Current Sensors of the RIBX Series and relays of the Dry Contact Input RIB Series may be applied to interlock Load 2 to Load 1.



For more Application Examples, please download the AM578B Manual at <http://www.functionaldevices.com/Downloads.html>

#### DRY CONTACT INPUT RELAYS

RIB21CDC  
RIB01BDC  
RIB01SBDC  
RIB02BDC  
RIB02SBDC  
RIBM01ZND  
RIBM02ZND  
RIBM013PND

#### CURRENT SENSORS

RIBXKF RIBXRF  
RIBXKTF RIBXRA  
RIBXKA RIBXJF  
RIBXKTA RIBXJA  
RIBXGA RIBMXF  
RIBXGF RIBMXA  
RIBXGTA RIBM XV  
RIBXGTF RIBM XRF  
RIBXGFL RIBM XRA  
RIBXGTF L RIBM XJF  
RIBXF RIBM XJA  
RIBXA  
RIBXV