



Functional Devices, Inc.
 310 South Union Street
 Russiaville, IN 46979
 www.functionaldevices.com

Office: (765) 883-5538
 Sales: (800) 888-5538
 Fax: (765) 883-7505
 Email: sales@functionaldevices.com

Manufacturing quality products in the United States of America since 1969

RIB01P

Enclosed Relay 30 Amp DPDT with 120 Vac Coil



Functional Devices, Inc. A600C 2005



Contact Ratings:

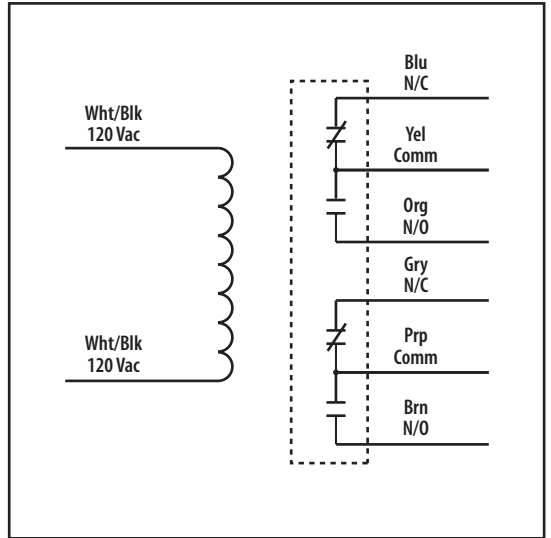
- 20 Amp Resistive @ 300 Vac
- 20 Amp Resistive @ 28 Vdc
- 20 Amp Ballast @ 277-480 Vac
- 15 Amp Resistive @ 600 Vac
- 770 VA Pilot Duty @ 120 Vac
- 1158 VA Pilot Duty @ 240 Vac
- 1110 VA Pilot Duty @ 277 Vac
- 1640 VA Pilot Duty @ 480 Vac
- 3 HP @ 480-600 Vac
- 2 HP @ 240-277 Vac
- 1 HP @ 120 Vac

Coil Current:

95 mA @ 120 Vac

Coil Voltage Input:

120 Vac/dc; 50-60 Hz
 Drop Out = 35 Vac
 Pull In = 85 Vac



- # Relays & Contact Type:** One (1) DPDT Continuous Duty Coil
- Expected Relay Life:** 10 million cycles minimum mechanical
- Operating Temperature:** -30 to 140° F
- Operate Time:** 18mS
- Relay Status:** LED On = Activated
- Dimensions:** 4.00" x 4.00" x 1.80" with .50" NPT Nipple
- Wires:** 16', 600V Rated
- Approvals:** UL Listed, UL916, UL864, C-UL Canada
 California State Fire Marshal, CE Approved
- Housing Rating:** Plenum, NEMA 1
- Gold Flash:** Yes
- Override Switch:** No

Notes: