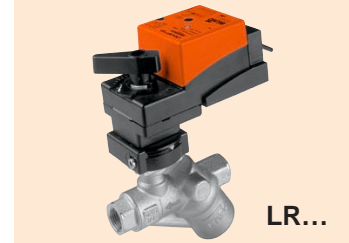


P2 Series Pressure Independent Characterized Control Valve™ with Non-Spring Return Actuator



Two-way Valve with **Chrome Plated Brass Ball and Brass Stem**, NPT female ends

Service:	Chilled or Hot Water, 60% glycol
Flow Characteristic:	Equal percentage
Media Temp Range:	0°F to 212°F [-18°C to 100°C]
Ambient Temp Range:	-22°F to 122°F [-30°C to 50°C]
Differential Pressure Operating Range:	0 to 50 PSI



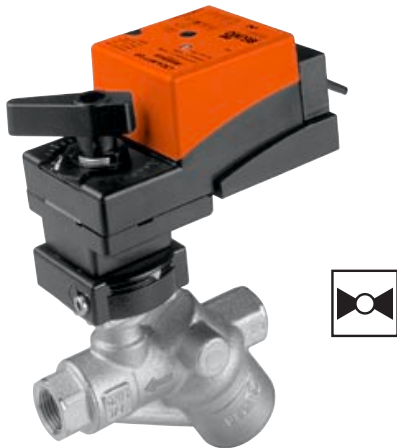
P2... Pressure Independent Characterized Control Valve, Chrome Plated Brass Ball and Brass Stem



Valve						Non-Spring Return Actuator	
Model # PICCV Valve	Flow Rate		Valve Nominal Size		Close-Off psi	Floating	Proportional/MFT
	GPM	Liter/sec	Inches	DN mm		LR24-3 US	LR24-MFT US
PICCV-15-0.50	0.5	0.03	1/2"	15	200	<input type="checkbox"/> Pg 12	<input type="checkbox"/> Pg 14
PICCV-15-001	1	0.06	1/2"	15	200	<input type="checkbox"/> Pg 12	<input type="checkbox"/> Pg 14
PICCV-15-002	2	0.13	1/2"	15	200	<input type="checkbox"/> Pg 12	<input type="checkbox"/> Pg 14
PICCV-15-003	3	0.19	1/2"	15	200	<input type="checkbox"/> Pg 12	<input type="checkbox"/> Pg 14
PICCV-15-004	4	0.25	1/2"	15	200	<input type="checkbox"/> Pg 12	<input type="checkbox"/> Pg 14
PICCV-15-005	5	0.32	1/2"	15	200	<input type="checkbox"/> Pg 12	<input type="checkbox"/> Pg 14
PICCV-20-006	6	0.38	3/4"	20	200	<input type="checkbox"/> Pg 12	<input type="checkbox"/> Pg 14
PICCV-20-007	7	0.44	3/4"	20	200	<input type="checkbox"/> Pg 12	<input type="checkbox"/> Pg 14
PICCV-20-008	8	0.50	3/4"	20	200	<input type="checkbox"/> Pg 12	<input type="checkbox"/> Pg 14
PICCV-20-009	9	0.57	3/4"	20	200	<input type="checkbox"/> Pg 12	<input type="checkbox"/> Pg 14
PICCV-20-010	10	0.63	3/4"	20	200	<input type="checkbox"/> Pg 12	<input type="checkbox"/> Pg 14
PICCV-25-012	12	0.76	1"	25	200	<input type="checkbox"/> Pg 12	<input type="checkbox"/> Pg 14
PICCV-25-014	14	0.88	1"	25	200	<input type="checkbox"/> Pg 12	<input type="checkbox"/> Pg 14
PICCV-25-016	16	1.01	1"	25	200	<input type="checkbox"/> Pg 12	<input type="checkbox"/> Pg 14
PICCV-25-018	18	1.14	1"	25	200	<input type="checkbox"/> Pg 12	<input type="checkbox"/> Pg 14
Electrical Connection						3 ft cable 1/2" conduit fitting	

When ordering MFT, see configuration codes on [pg 54](#).

Pressure Independent Characterized Control Valve with Floating Non-Spring Return Actuator



Valve Specifications

Service	chilled or hot water, 60% glycol
Flow characteristic	equal percentage
Size	1/2", 3/4", 1"
Type of end fitting	female, NPT
Materials:	
Body	forged brass, nickel plated
Ball	chrome plated brass
Stem	chrome plated brass
Seats	fiberglass reinforced teflon® PTFE
Characterizing disc	TEFZEL®
Packing	2 EPDM O-rings, lubricated
Diaphragm	polyester reinforced silicone
Regulator components	Stainless Steel/Brass/Delrin 500 AF
Spring	Stainless Steel
Body pressure rating	600 PSI
Media temp. range	0°F to 212°F [-18°C to 100°C]
Close off pressure	200 PSI
Leakage	ANSI Class IV
Flow rate – 1/2"	0.5 GPM [.03 l/s], 1 GPM [.06 l/s], 2 GPM [.13 l/s], 3 GPM [.19 l/s], 4 GPM [.25 l/s], 5 GPM [.32 l/s]
Flow rate – 3/4"	6 GPM [0.37 l/s], 7 GPM [0.44 l/s], 8 GPM [0.50 l/s], 9 GPM [0.57 l/s], 10 GPM [0.63 l/s]
Flow rate – 1"	12 GPM [0.76 l/s], 14 GPM [0.88 l/s], 16 GPM [1.01 l/s], 18 GPM [1.14 l/s]
Differential pressure operating range	0 to 50 PSI
Flow accuracy (absolute)	≤ ± 5% (5 to 50 PSI)
Variation due to manufacturing tolerances	≤ ± 5% (5 to 50 PSI)
Hysteresis (absolute)	≤ 1%

Tefzel® and Teflon® are registered trademarks of Dupont

Application:

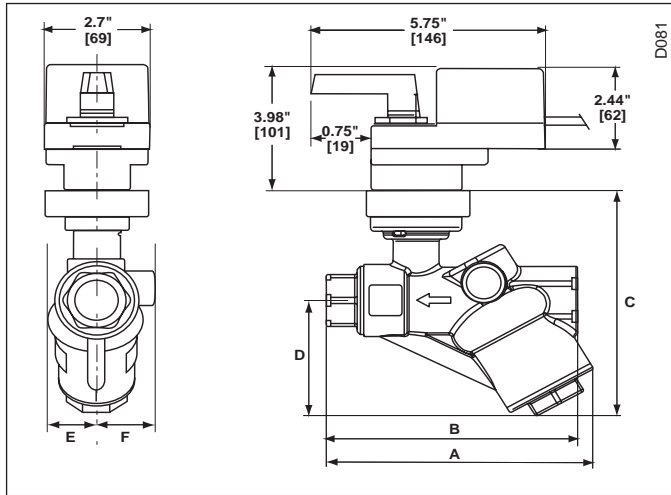
The Pressure Independent Characterized Control Valve is typically used in air handling units on heating and cooling coils and fan coil unit heating or cooling coils. Some other common applications include unit ventilators and VAV re-heat coils. This valve is suitable for use in a hydronic system with constant or variable flow.

Actuator Specifications

<input type="checkbox"/> LR24-3 US	
Control	Floating Point
Power supply	24 VAC ± 20% 50/60 Hz, 24 VDC ± 10%
Power consumption	2 W Running, 1 W Holding
Transformer sizing	4 VA (Class 2 power source)
Electrical connection	3 ft, 18 GA, plenum cable, 1/2" conduit
Overload protection	electronic throughout 0 to 95° rotation
Input impedance	3900Ω
Direction of rotation	Control direction selected by switch: CW=CW with decrease in signal CCW=CCW with a decrease in signal
Running time	95 seconds constant
Manual override	Manual push button
Position indication	handle
Humidity	5 to 95% RH, non-condensing
Operating temp.	-22 to +122° F (-30 to +50° C)
Storage temp.	-40 to +176° F (-40 to +80° C)
Housing	NEMA 2, IP54
Housing material	UL 94-5V (flammability rating)
Noise level	less than 35 dB (A)
Agency listings	UL 873 listed, CE, CSA C22.2 No. 24 certified
Quality standard	ISO 9001
Servicing	maintenance free



Dimensions with LR24-3 US

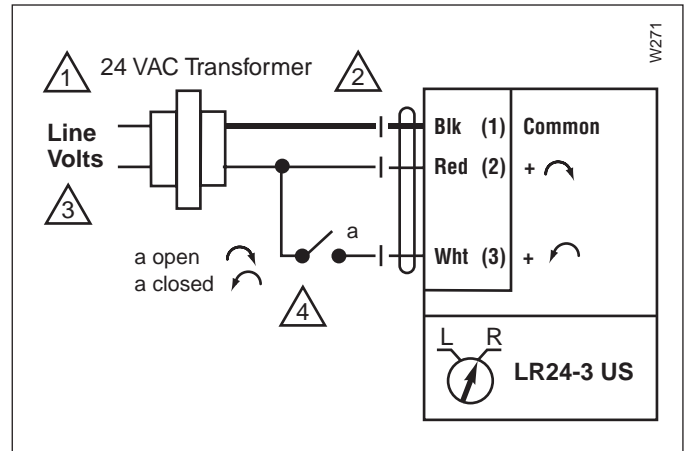


Dimensions (All ratings in brackets are in millimeters.)

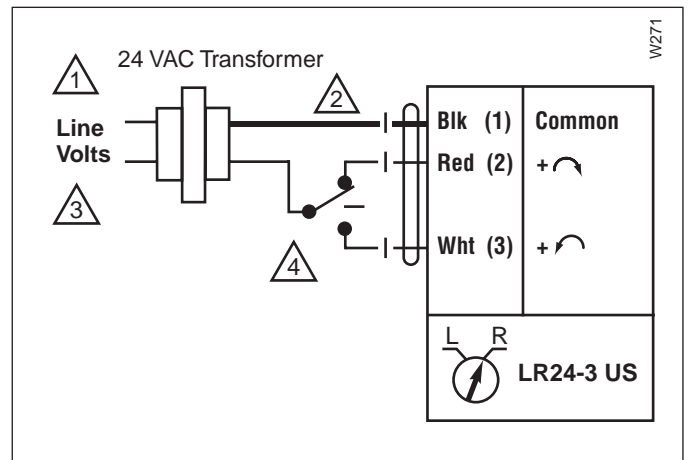
Valve	A	B	C	D	E	F
1/2" NPT	4.80 [122]	4.53 [115]	4.96 [122]	2.28 [58]	1.04 [24.4]	1.3 [31.2]
3/4" NPT	4.80 [122]	4.53 [115]	4.96 [122]	2.28 [58]	1.04 [24.4]	1.3 [31.2]
1" NPT	6.85 [174]	7.05 [179]	5.76 [144]	3.23 [82]	1.60 [40.6]	1.60 [40.6]

Wiring Diagrams

On-off



Floating point



Notes:

- 1 Provide overload protection and disconnect as required.
- 2 Actuators are provided with color coded wires. Wire numbers are provided for reference.
- 3 Actuators may also be powered by 24 VDC.
- 4 Meets cULus or UL and CSA requirements without the need of an electrical ground connection.