



ACI/Button Series



Product Description

The ACI/Button Sensor Series temperature sensors can incorporate any thermistor or RTD type sensor. These sensors provide a predictable output over a specified temperature range to meet each manufacturers required input values.

Both thermistors and RTD's offer high accuracy and interchangeability over a wide operating temperature range.

The thermistor's high resistance, relative to Platinum RTD's create a larger signal with the same measuring current, negating most lead

wire resistance problems and eliminating the need for signal conditioners.

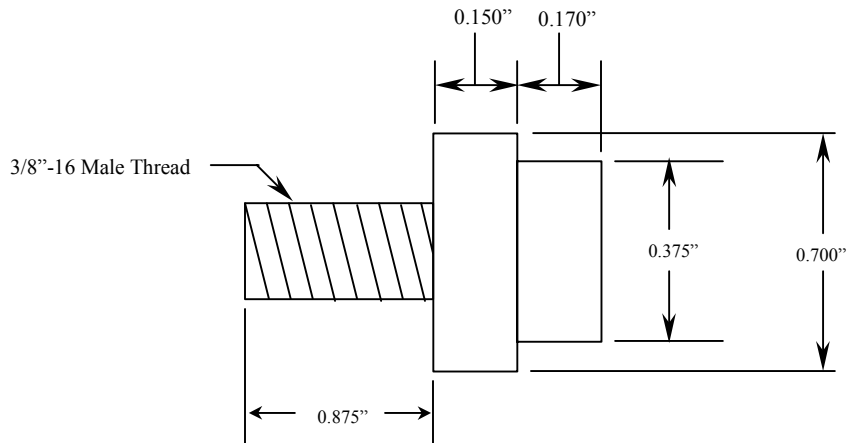
These units are made of Brass and come standard with all of the mounting hardware. The Brass Button can be mounted in places such as thin pieces of wood, drywall, in electrical enclosures or mounting plates, and many other different applications. Use of the 1" or 2" Delrin spacer will allow you to insulate the threaded brass button from temperatures and drafts within the wall or space.

Other options and materials may be available. Please contact ACI for more information regarding this product.

Product Specifications

Output	100 Ohms @ 32°F (0°C) 1K Ohms @ 32°F (0°C) 1.8K Ohms @ 77°F (25°C) 2,252 Ohms @ 77°F (25°C) 3K Ohms @ 77°F (25°C) 5K Ohms @ 77°F (25°C) 10K Ohms @ 77°F (25°C) 20K Ohms @ 77°F (25°C) 100K Ohms @ 77°F (25°C)	Thermistor Dissipation Constant	3 mW / °C
		RTD Temp. Coefficient	0.00385 Ohm/Ohm/°C
Operating Temperature Range	Thermistor: -40 to 302°F (-40 to 150°C) RTD's: - 40 to 302oF (-40 to 150°C)	Accuracy	Thermistor: +/-0.2°C (0 to 70°C) RTD's: +/- 0.6% @ 32°F (Class A)
Interchangeability	Thermistor: +/- 0.2°C (0 to 70°C)	Operating RH	10 to 90% RH non-condensing

Dimensions



Ordering Information

A/	Sensor	Button Material	-Button
	[]	-[]	
	↑	↑	
	100 Ohm	(B) Brass	
	1K	(SS) Stainless Steel	
	1.8K		
	2252		
	3K		
	3K-ASI		
	5K		
	AN (10K-AN)		
	CP (10K-CP)		
	CSI (10K-CSI)		
	20K		
	100K		

Example: A/20K-B-Button or A/AN-SS-Button